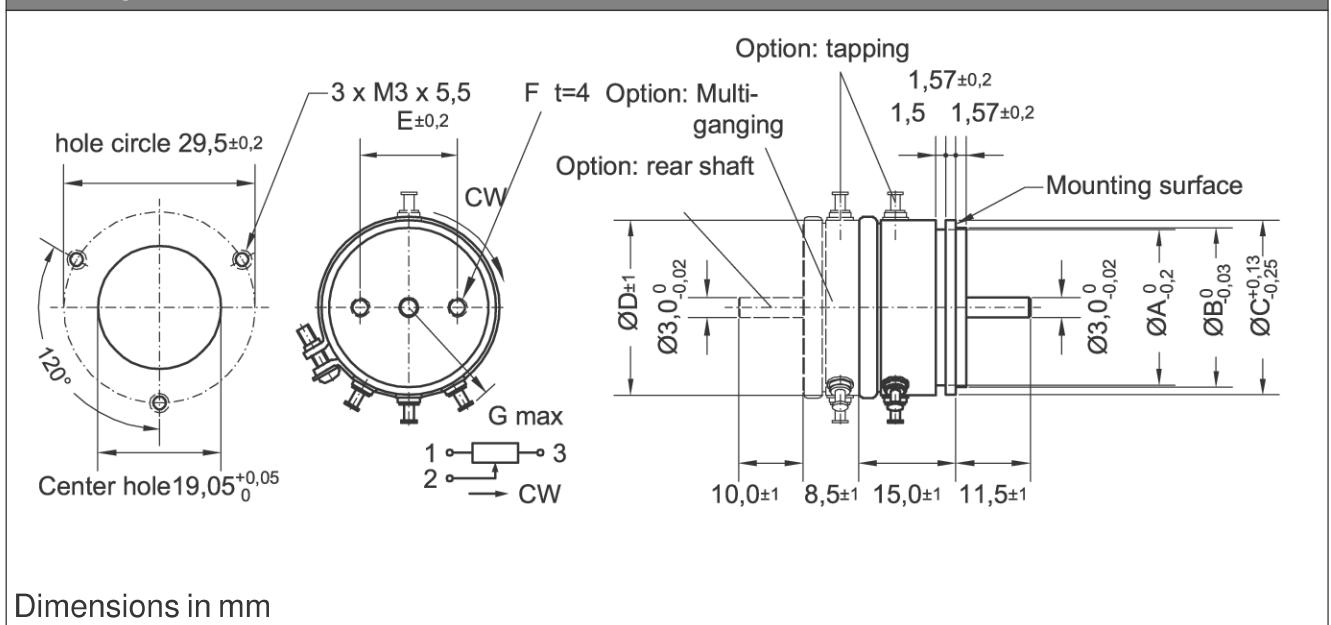


- Linearity tolerance 0,1%
- 2 precision ball bearings
- Life expectancy 50 mio. turns
- Custom specific adaptations

The series MCP22 / MCP30 has been designed for high standards of accuracy and reliability. Specific features are excellent linearity tolerance and life expectancy. Front shaft (IP65) and body sealing available (IP64) on request. Preference types from stock.



Drawing



Type	A	B	C	D	E	F	G
MCP22	19,10	19,05	22,23	22,23	12,00	2 x M2	18,00
MCP30	24	24,61	26,97	27,00	15,00	2 x M3	20,00

Electrical Specification		MCP22	MCP30
Electrical angle	[°]	320 ±5	340 ±5
Nominal resistance value	[kOhm]	0,5 to 100	0,5 to 100
Resistance tolerance	[%]	±10 (5%)	
Linearity tolerance (independent)	[%]	±0,75 (0,2)	±0,25 (0,1)
Output smoothness acc. Mil-R-39023	[%]	< 0,1	
Power rating at +40°C (0W at 125°C)	[W]	1	1,5

Mechanical Specification		MCP22	MCP30
Mechan. angle	[°]	360 without stop	
Max. operating speed	[turns/min]	400	
Life expectancy	[turns]	50 x 10 ⁶	
Bearing		2 precision ball bearings	
Starting torque	[Ncm]	0,15	0,2



Environmental Specifications / Material		MCP22	MCP30
Body material		steel	
Shaft material		stainless steel	
Terminals		solder pins, gold-plated	
Mounting parts (included in delivery)		3 clamps SFN2 with screws M3 x 5,5	
Operating temperature	[°C]	-55 .. +105	
Protection grade of optional shaft sealing		IP65	
Weight	[g]	20	25

Options and Order Descriptions											
Description	Series	Options									
		Conductive plastic potentiometer	MCP22								
Conductive plastic potentiometer	MCP30										
Res. Value 1k, 2k, 5k, 10k (standard)		R2k									
Res. Value 20k, 50k, 100k (special version)											
Rear shaft length (10mm standard)			RA10								
Rear shaft diameter (3mm standard)				RADM3							
Res. tolerance ±10 % (standard)					W10%						
Res. tolerance ±5 % (special version)					W5%						
independent linearity ±0,75 % (standard MCP22)						L0,75%					
independent linearity ±0,2 % (special MCP22)						L0,2%					
independent linearity ±0,25 % (standard MCP30)						L0,25%					
independent linearity ±0,1 % (special MCP30)						L0,1%					
Center tap							CT				
Front shaft length (standard 11,5mm)								A11,5			
Front shaft diameter (standard 3mm)									DM3		
Screw driver slot										B	
Sealing ring in the front shaft-bearing											D
Ordering example standard version*	MCP30	R2K				W10%	L0,25%				
Ordering example special version**	MCP30	R100k	RA6	RADM2	W5%	L0,1%	CT	A11,5	DM2	B	D

Example* standard version: MCP30, res. value 2 KOhm, res. tolerance ±10%, independent linearity ±0,25%
 Example** special version: MCP30, res. value 100 KOhm, rear shaft length 6mm, rear shaft diameter 2mm,
 resist. tolerance ±5%, independent linearity ±0,1%, center tap, front shaft length 11,5mm
 front shaft diameter 2mm, scew driver slot, sealing ring

Please ask for more options and fittings.

A wide range of options on request for reasonable prices even in small quantities

Special shaft (length, shape, flat, slot, etc.), o-ring for shaft sealing, sealed housing, special electrical and mechanical angles, tighter tolerances, center tap. Mounting of gear wheels and other mechanical parts, assembling of cables and connectors.

Please note

All the specifications and information in this datasheet can not consider the special demands that are caused by the application. Because of this, they are no general description of the properties of the product. Please consider also our detail specifications.