

MC400 Slip Rings

OD 22.00mm(0.87"), Length 40mm(1.57")

Mc400 slip rings are small and compact with OD 22mm * L 40mm, with capsule style, standard, off-the-shelf. Color-coded lead wires are used on both the stator and rotor for simplified electrical connections. Using a 90° V-groove ring design for each ring.



MC4009 is the high-end version corresponding to MC400, See difference as below:

	Max Speed	Working life	Torque	Housing Material	Electrical noise① @10Rpm
MC400	250RPM	50million	0.06 N·m	Plastics	10mΩ
MC4009	1000RPM	150million	0.02 N·m	Metal	4mΩ

Specifications

PART #	OD * L	SIGNAL/2A	4A	8A	15A	TOTAL WIRES
MC400	22mm*40mm	24	0	0	0	24
MC400-P0304-S18	22mm*40mm	18	3	0	0	21
MC400-P0604-S12	22mm*40mm	12	6	0	0	18
MC400-P0804-S08	22mm*40mm	8	8	0	0	16
MC400-P0308-S08	22mm*40mm	8	0	3	0	11
MC400-P0408-S04	22mm*40mm	4	0	4	0	8
MC400-P0508	22mm*40mm	0	0	5	0	5
MC400-P0215-S06	22mm*40mm	6	0	0	2	8
MC400-P0315	22mm*40mm	0	0	0	3	3

Shared Specifications

Wires	Max 24(see table as above)	Current	Signal(2A), Multiple 2A
Voltage	240 VDC/VAC	Max speed	250RPM
Overall diameter	22mm(0.87")	Length	40mm(1.57")
Contact Material	Precious Metal:gold-gold	Contact Resistance	<150mOhm(AWG28#,250mm)
Housing Material	Plastics	Torque	0.04N.m
Working life	50million	Electrical noise	<10mΩ
Dielectric strength	600VDC@50Hz	Lead Wire	UL Teflon® Awg28
Insulation resistance	1000MΩ@500VDC	Lead Lengths	250mm
Operating Temp.	-40°C to 80°C	Protection	IP51
Mechanical vibration	MIL-SID-810E	Humidity	10% to 90% RH
Materials	Lead Free,RoHS compliant	CE Certified	YES

Notes:

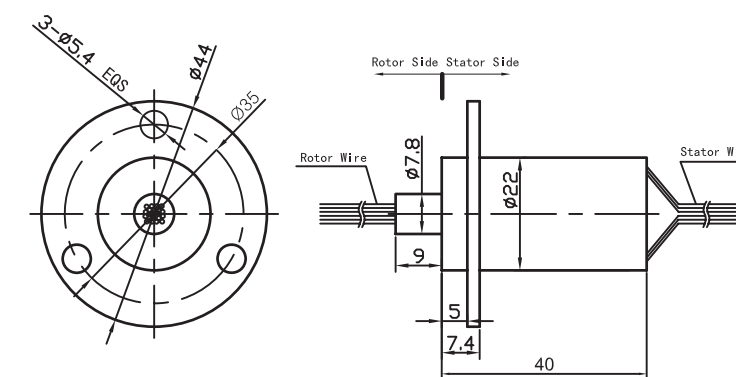
1)The operational life of the unit is dependent upon rotational speed, environment and temperature.

2)Lead Wire size: 2A/signal -> AWG28, 4A -> AWG22, 8A -> Awg16, 15A -> Awg14, colored code.

3)Electrical noise is dependent upon the rotating speed and current,voltage.

Drawings

Standard drawings:



Lead wire Color codes

Rings#	Color Code	Rings#	Color Code	Rings#	Color Code
1	BLK	9	GRY	17	WHT YEL
2	BRN	10	ORN	18	WHT GRN
3	RED	11	PINK	19	WHT BLU
4	ORN	12	AZURY	20	WHT PURPLE
5	YEL	13	WHT BLK	21	WHT GRY
6	GRN	14	WHT BRN	22	CRY STAL
7	BLU	15	WHT RED	23	BLK RED
8	PURPLE	16	WHT ORG	24	WHT BRN

Options

- MC4009 is the high-end version corresponding to MC400.
- Optional flange mounting.
- Specified connectors and Heat-shrink tube.
- Longer lead lengths available.
- High temperature is optional.
- Military Grade.

Application

Typical Application

- CCTV Monitoring System.
- Electrical test equipment.
- Medical equipment.
- Rotary table
- Robotics
- Laboratory equipmen
- Manufacturing and process control equipment
- and so on...
- if you want to use this series slip ring on your mechanism, pls contact us for more application:technical@moflon.com