

MC190 - MC SERIES

MC190 - MC SERIES

MC190 Slip Rings

OD 22.00mm(0.87"),Length 19mm(0.75")

Mc190 slip rings are small and compact with OD 22mm * L 19mm, with capsule style, standard, off-the-shelf. Color-coded lead wires are used on both the stator and rotor for simplified electrical connections. Using a 90° V-groove ring design for each ring.

MC1909 is the high-end version corresponding to MC190, See difference as below:

	Max Speed	Working life	Torque	Housing Material	Electrical noise① @10Rpm
MC190	250RPM	50million	0.02 N·m	Plastics	10mΩ
MC1909	1000RPM	150million	0.005 N·m	Metal	4mΩ



Specifications

PART #	OD*L	SIGNAL/2A	4A	8A	15A	TOTAL WIRES
MC190	22mm*19mm	6	0	0	0	4
MC190-P0204-S02	22mm*19mm	2	2	0	0	4
MC190-P0304	22mm*19mm	0	3	0	0	3
MC190-P0108-S02	22mm*19mm	2	0	1	0	3

Shared Specifications

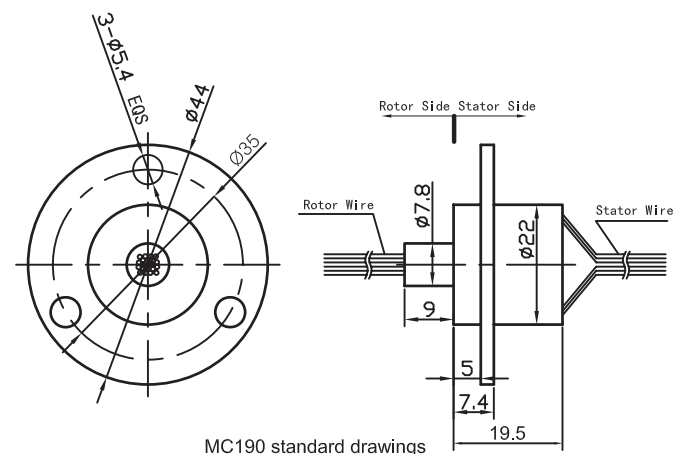
Wires	Max(see table as above)	Current	Signal(2A),Multiple 2A
Voltage	240 VDC/VAC	Max speed	250RPM
Overall diameter	22mm(0.87")	Length	19mm(0.75")
Contact Material	Precious Metal:gold-gold	Contact Resistance	<150mOhm(AWG28#,250mm)
Housing Material	Plastics	Torque	0.02N.m
Working life	50million	Electrical noise	<10mΩ
Dielectric strength	600VDC@50Hz	Lead Wire	UL Teflon® Awg28
Insulation resistance	1000MΩ@500VDC	Lead Lengths	250mm
Operating Temp.	-40°C to 80°C	Protection	IP51
Mechanical vibration	MIL-SID-810E	Humidity	10% to 90% RH
Materials	Lead Free,RoHS compliant	CE Certified	YES

Notes:

- 1)The operational life of the unit is dependent upon rotational speed, environment and temperature.
- 2)Lead Wire size: 2A/signal -> AWG28, 4A -> AWG22, 8A -> Awg16, 15A -> Awg14, colored code.
- 3)Electrical noise is dependent upon the rotating speed and current,voltage.

Drawings

Standard drawings:



MC190 standard drawings

Lead wire Color codes

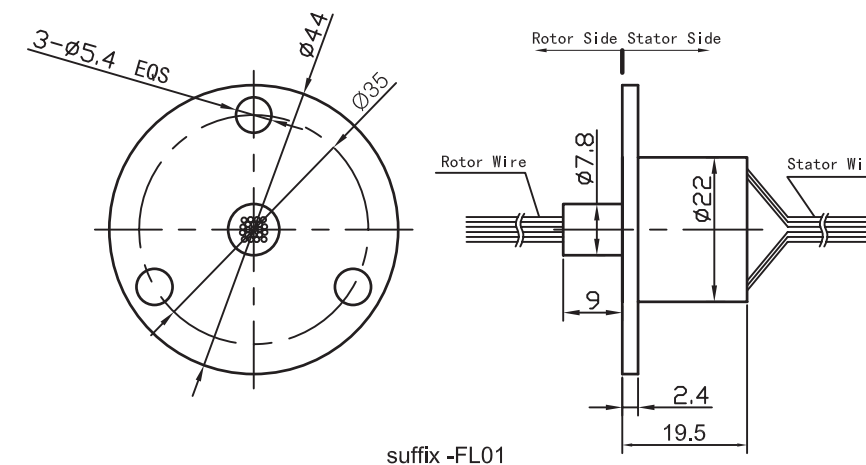
Rings#	Color Code	Rings#	Color Code	Rings#	Color Code
1	BLK	3	RED	5	YEL
2	BRN	4	ORN	6	GRN

Optional Flanges drawings:

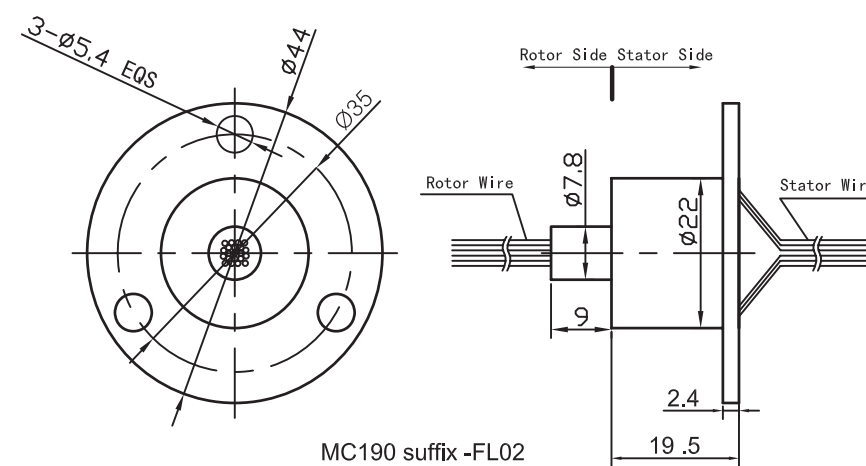
At sometimes, we need a different flange for mounting instead, how should we do?

Great! Moflon supply many flange style as below:

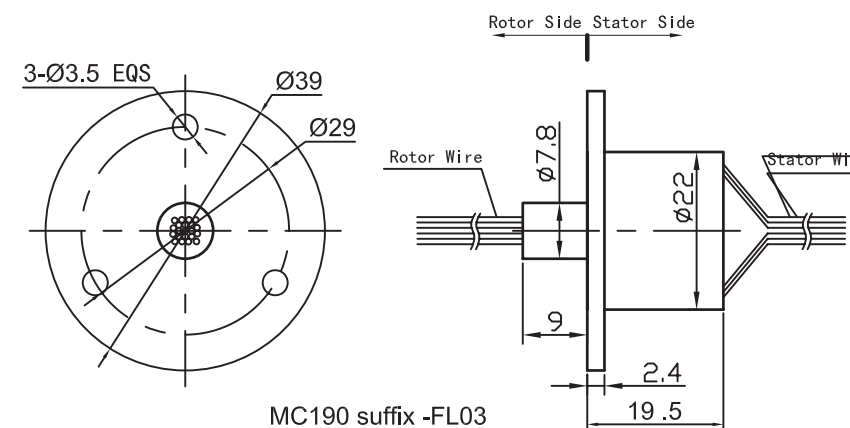
(when you order, pls add FL01 ... FL08 at the suffix of Part#, for example: MC190-S06-FL01 means MC190-S06 with optional flange FL01.)



suffix -FL01



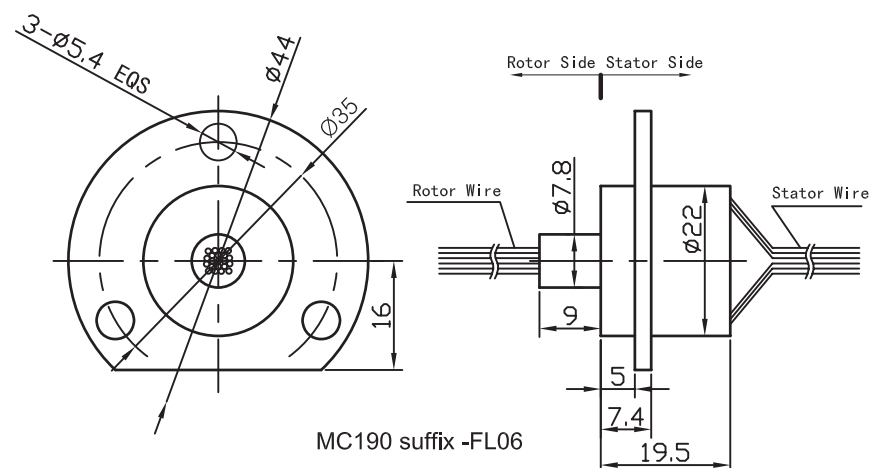
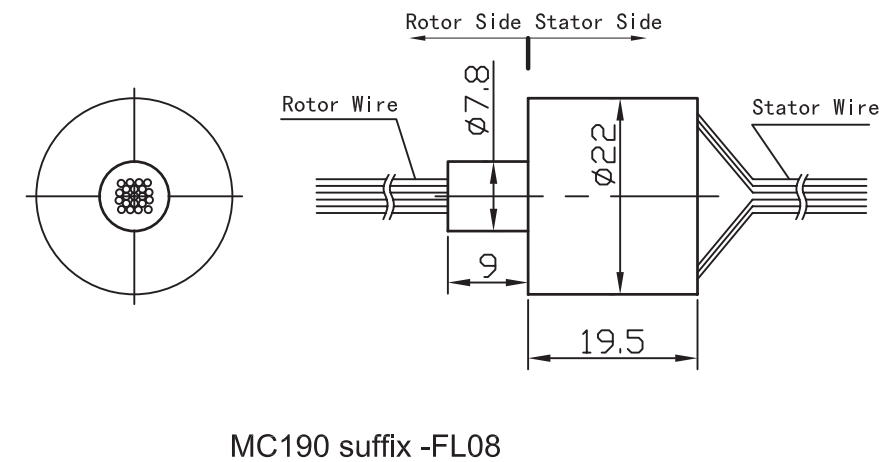
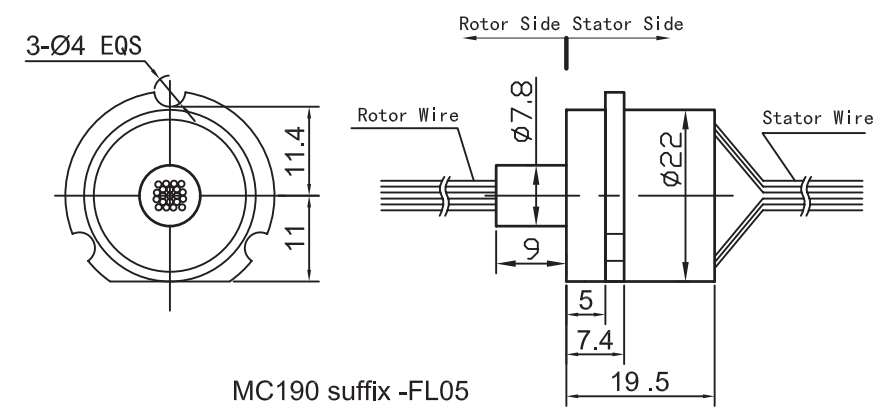
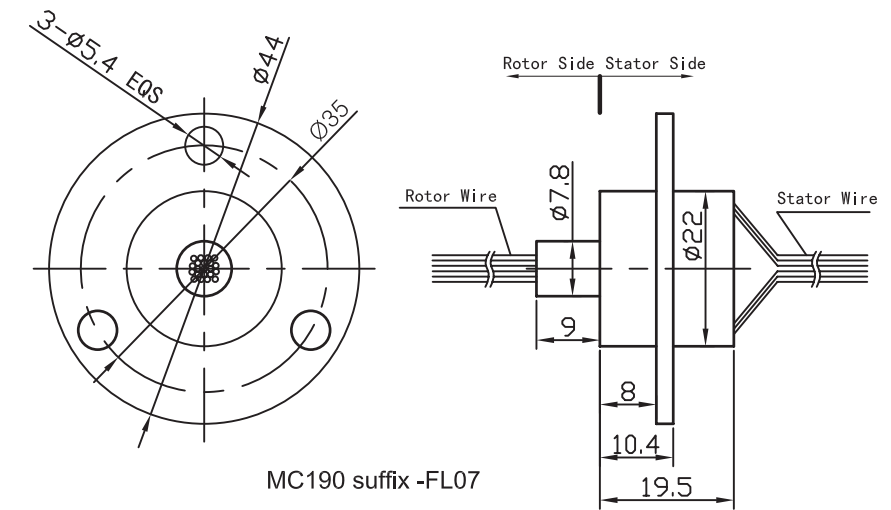
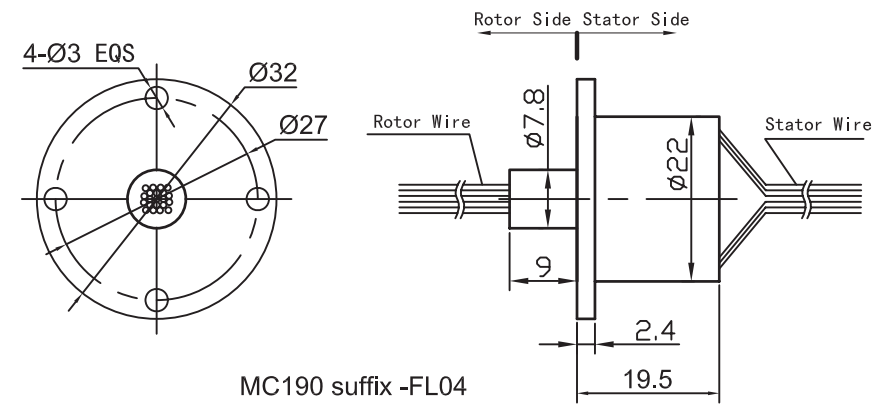
MC190 suffix -FL02



MC190 suffix -FL03

MC190 - MC SERIES

MC190 - MC SERIES



Options

- ▶ Mc1909 is the high-end version corresponding to MC190.
- ▶ Optional flange mounting.
- ▶ Specified connectors and Heat-shrink tube.
- ▶ Longer lead lengths available.
- ▶ High temperature is optional.
- ▶ Military Grade.

Application

Typical Application

- ▶ CCTV Monitoring System.
- ▶ Electrical test equipment.
- ▶ Medical equipment.
- ▶ Rotary table
- ▶ Robotics
- ▶ Laboratory equipmen
- ▶ Manufacturing and process control equipment
- ▶ and so on...
- ▶ if you want to use this series slip ring on your mechanism, pls contact us for more application: technical@moflon.com