

M1858

18.5" Fanless Intel® Cedar Trail Atom™ Dual Core N2800 Infotainment Terminal



Features

- Fanless Design
- Applicable for Bedside Infotainment, Self-registration
- Lifetime Guarantee Anti-bacterial Protection (Against Escherichia Coli & Staphylococcus Aureus)
- Fanless Operating with Intel® Atom™ N2800 Processor
- Ventless Design, Water-proof, Dust Resistant
- Support MPEG-2 (AVC/H.264) & VC-1; 720p60, 1080i60, 1080p@24 up to 20Mps
- Privacy Cover on Camera
- Patient Identification Through Integrated RFID, Barcode Scanner and Dual Smart Card Reader Slots
- Intel® SSD Compatible

System

CPU	Intel® Atom™ Dual Core N2800 1.86GHz processor
Memory	2GB DDR3 SO-DIMM memory module installed
Chipset	Intel® NM10
Storage	32GB 2.5" SATA SSD installed

Peripheral Devices

Wi-Fi	1 x 802.11 a/b/g/n wireless LAN
Smart Card Reader	Dual Smart Card Reader slots
Camera	1 x 5.0 MP megapixels CCD camera (with privacy slide)
Bluetooth	1 x Bluetooth module (optional)
Barcode Scanner	1 x 1D/2D Barcode Scanner (optional)
Phone	1 x VoIP phone blower (optional)
RFID	1 x ISO 15693/14443A/14443B RFID reader (optional)
RF Keyboard	1 x RF Keyboard (optional)

I/O interface

Audio I/O	2 x Internal speakers (3W), 1 x Microphone built-in 1 x Mic-in, 1 x speaker-out on bottom Line
A/V input*	3 x RCA connectors on bottom line
LAN	2 x RJ45 connectors for GbE LAN (one on bottom Line, and the other on rear panel)
Serial Port	1 x RS-232 port on bottom Line
USB Port	3 x USB 2.0 ports (two on Bottom and one on Rear)

Button & Indicator

Function Key	8 x function keys
LED Indicator	4 x programmable LEDs on front panel
Power Button	1 x Power on/off button

Power Requirement

Adapter Input	100 ~ 240 VAC (Full Range)
Adapter Output	20VDC, 3.0A, 60W (Max.)
Power Consumption	35W (Max.)

LCD Display

Size/Type	18.5" TFT color LCD
Max. Resolution	1366 x 768 (WXGA) with 16.7M colors
Luminance	250 cd/m ² (typ.)
Contrast Ratio	1000 : 1 (typ.)
Backlight Type	LED
Backlight Life Time	30,000 hours

Touch Screen

Type	Analog Resistive Touch, 5 wire
Light Transparency	80% (typ.)
Controller Interface	USB interface

Mechanical & Environmental

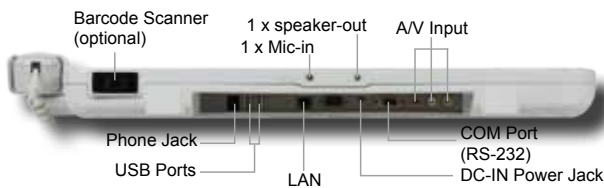
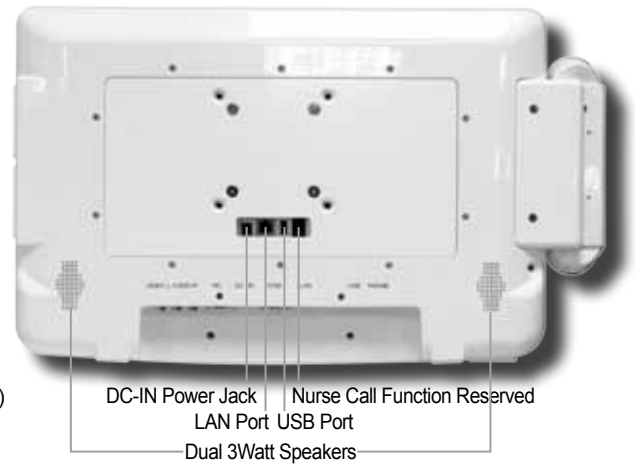
Operating Temp.	0 ~ 40°C (32 ~ 104°F)
Operating Humidity	5 ~ 95% (non-condensing)
Dimensions (W x D x H)	558 x 337 x 66mm (21.97" x 13.27" x 2.6")
Weight (Net)	6.5 kg (14.33 lb)
Construction	Plastic + Aluminum
Mounting	VESA-100 compatible (M6)
Regulatory	CE, FCC Class B EN60601-1, EN60601-1-2 compliant
IP Rating	Front panel IP65 waterproof

OS Support

Windows embedded Standard 7-32 bit
Linux Ubuntu and Fedora compatible

Ordering Information

M1858	18.5" fanless Intel® Atom™ N2800 1.86GHz Medical PC
--------------	--



Composite AV Input
(Reserved for Optional AV Capture Card)



5.0MP CCD Camera with Privacy Slide

Capacitive Function Key



Dual Smart Card Reader



Standard Accessories

PAC-M065W

65W Medical grade AC/DC adapter kit with EU and US power cord



Optional Accessories

Phone-1858

VoIP Phone



RFKB-1858

RF Keyboard kit



ARM Kit

Hospital Arm

page 34

Optional Configuration (CTOS* Kit)

RFID-1858

RFID module kit



BarC-1858

Barcode scanner module kit



BT-1858

Bluetooth module kit



AVC-1858-D

DVB-T / PAL AV capture card



AVC-1858-A

ATSC / NTSC AV capture card

Brand/Type Intel / 2.5 inch

Interface SATAII

Capacity 320GB

Dimensions (W x D x H) 100.45 x 69.85 x 9.5 mm
(3.95" x 2.75" x 0.37")



*CTOS means Configure to Order Service.