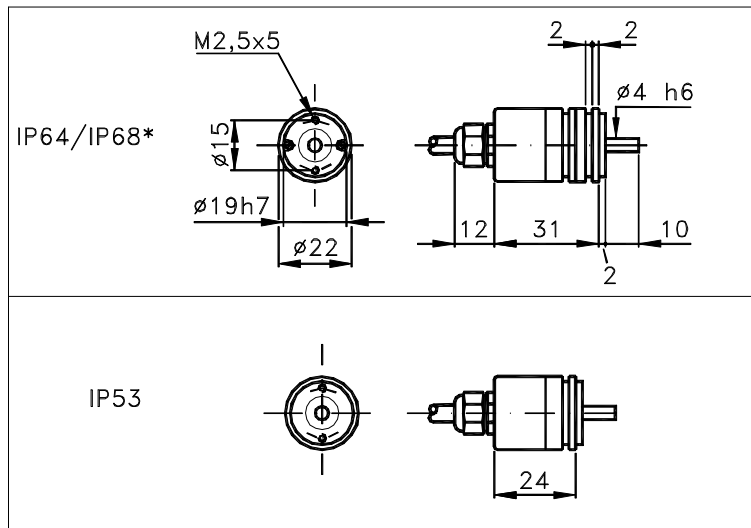


Measures without tolerance according to UNI ISO 2768-mk



* IP68 VERSION MUST BE OPERATED IMMERSSED IN FLUID.

TECHNICAL FEATURES AND POSSIBLE CONFIGURATIONS

- Output codes.....: Binary
- Max pulses/rev.....: 512 (9 bits)
- Power supply Vcc.....: 5±5%
- Max consumption.....: 20 mA (23 mA SSI)
- Max frequency.....: 500 kHz
- Operating temperature..: -25÷+85 °C
- Storage temperature....: -25 ÷ +125 °C
- Up/down commutation...: No
- Mechanical zero search: No
- Output stages.....: (-) Standard 3mA
- Pre output interface...: (S) Serial SSI
(-) Parallel (standard)

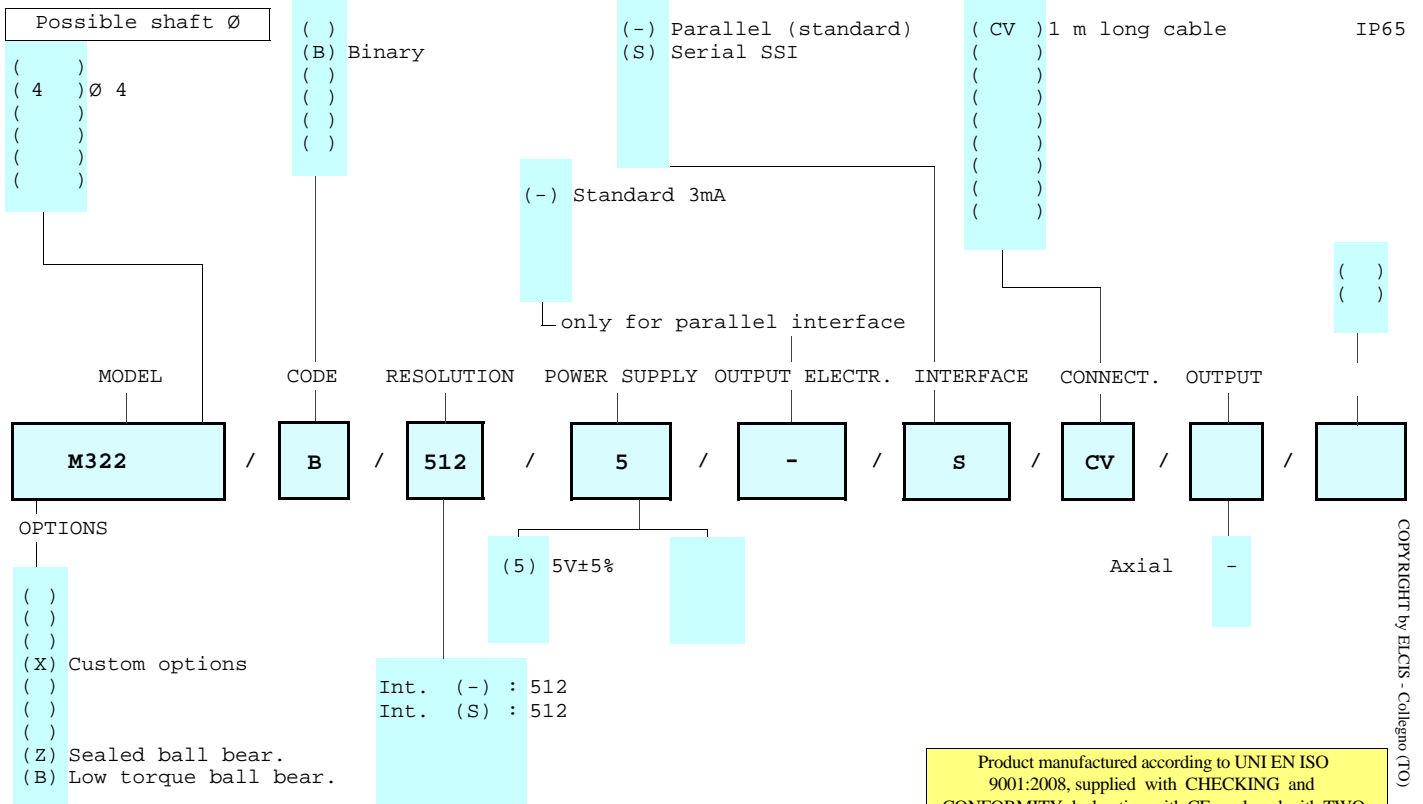
- Connections : CV
Axial -
For the description of connections see 'ORDERING CODE' on page 2.
- Base.....: Aluminium
- Cover.....: Aluminium (*)
- Weight.....: 70 g
- Shaft.....: Stainless steel (*)
- Max.rad/axial load....: 0,5 Kg
- IP output side.....: see 'CONNECTIONS' on page 2
- IP shaft side.....: std.64 | sealed 68 | low torq.53
- Contin. max RPM...(**): 6000 | 3000 | 20000
- Starting torque.. gcm.:
- Impact resistance.....: 100 G (6 ms)
- Vibration resistance...: 12 G (10 ÷ 2000 Hz)
- Ball bearings life.....: 1,5x10⁹ revolutions
(@ 1000 rev/m with load of 1/4 maximum allowed)
- (*) Custom options
- (**) Intermittent max RPM + 30% of continuous max RPM

POSSIBLE OPTIONS

CODE	DESCRIPTION	CODE	DESCRIPTION	CODE	DESCRIPTION
		X	Custom options		
				Z	Sealed ball bear.
				B	Low torque ball bear.

ELECTRONIC OUTPUT	INTERFACE	PARALLEL OPTIONS
» (-) Standard 3mA	» (-) Parallel (standard) The angular value is present on the output connector in a 'parallel' form. The number of conductors is proportional to the resolution and the type of selected code. Any electronic output stage can be applied.	»
»		»
»	» (S) Serial SSI The data output (available only with Gray or Excess code) is controlled by an external clock. The angular position's value is first stored into the encoder and then transmitted outside starting from the MSB. The standard of transmission is RS422.	»
»	»	»
»	»	»

ORDERING CODE



ELCIS company has the right to make any changing without previous notice.

data sheet IR 010 E00 page: 03.M322 2/2



Elcis encoder s.r.l. Via Rosa Luxembourg 12/14 10093 COLLEGNO (TO) ITALY
 Telefono: +39 011 715577/78 r.a.
 Corrispondenza: Elcis encoder s.r.l. P.O.Box 70 10093 COLLEGNO (TO) ITALY

* <http://www.elcis.com>
 * e-mail: info@elcis.com
 * Fax: +39 011 712613