

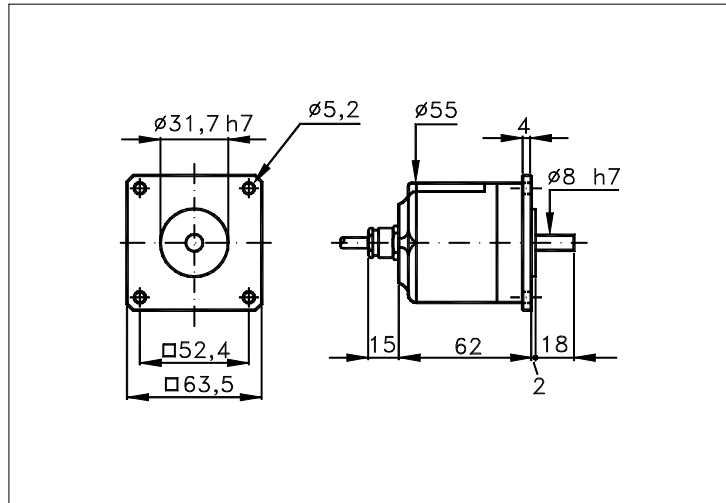
E6

data sheet . II067 E00

Sized draw standard version:

CV

Measures without tolerance according to UNI ISO 2768-mk



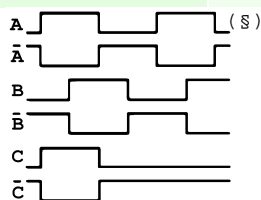
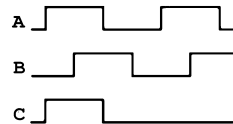
TECHNICAL FEATURES AND POSSIBLE CONFIGURATIONS

- Base.....: ANODIZED ALUMINIUM (*)
 - Cover.....: VALOX 420 (*)
 - Weight.....: 380 g
 - Shaft.....: Ø 8 STAINLESS STEEL (*)
 - Max.rad/axial load.: 8 kg
 - IP output side.(°): see 'CONNECTION' of page 2
 - IP shaft side.(°)> std. 64 | sealed 66 | low torq. -
 - opt. type (page 2)> standard | Z
 - Contin. max RPM(**)> 6000 | 3000 | -
 - Starting torque gcm> 18 | 30 | -
 - Ball bearings life....: 1,5 x 10⁹ revolutions
 - Impact resistance....: 50 G x 11ms
 - Vibration resistance.: 12 G (10 ÷ 2000 Hz)
 - Power supply.....: 5÷30V (see page 2)
 - Operating temperature: 0 ÷ 70 °C (*)
 - Storage temperature...: -30 ÷ 85 °C
 - N° of pulses/rev.....: 1 ÷ 1000
 - Max frequency.....: 40 kHz (75 option)
 - Max consumptions mA...: std 120 line driver 180 (*)
 - Light source.....: LED with >= 100000 h life
- (°) IP according to CEI EN 60529, EN 60529, IEC 529
 (*) custom options
 (**) intermittent max RPM + 30% of continuous max RPM

ELECTRONICS

CODE	DESCRIPTION	mA	CODE	DESCRIPTION	mA	CODE	DESCRIPTION	mA	CODE	DESCRIPTION	mA
	STANDARD NPN	10	N	DRIVER 26LS31	30						
K	NPN OPEN COLL	10	T	TTL 7404	10						
Q	NPN	70	C	DRIVER 88C30	20						
R	NPN OPEN COLL	70									
P	PNP	70									
U	PNP OPEN COLL	70									
B	PUSH-PULL PRO	70									
H	PUSH-PULL	70									

(§) Clock-wise output rotation (see shaft).



Tolerance between phases ± 35°, symmetry ± 15°

(§) Clock-wise output rotation (see shaft).



ELCIS s.r.l. Via Rosa Luxembourg 12/14 10093 COLLEGNO (TO) ITALY
 Phone: +39 011 715577/78 a.r.
 MAIL: ELCIS s.r.l. P.O.Box 90 10093 COLLEGNO (TO) ITALY

* <http://www.elcis.com>
 * e-mail: info@elcis.com
 * Fax: +39 011 712613

POSSIBLE OPTIONS				POSSIBLE CONNECTIONS								
CODE	DESCRIPTION	CODE	DESCRIPTION	CABLE			OUTPUT:					
Y	Unbreakable disk	K	Invert. phase A,B,Zero.	CV			AX					
Z	Sealed ball bearing	J	Zero logic combination	CONNECTOR			OUTPUT:					
H	Different shaft Ø	M	Impregnated electronic	CABLE END CONNECTOR			OUTPUT:					
R	75 KHz frequency	G	Tropicalization	VM	TM	VL	TL	VD	VH	VH5	VI	AX
X	Custom options			VE	VK	TK	VN	VH6	VM5	VM9	VS	
				VD5								
				TERMINAL BOX			OUTPUT:					

ORDERING INFORMATION

POSSIBLE SHAFT Ø	STANDARD NPN	CABLE	CONNECTOR	CABLE END CONNECTOR
()	(K) NPN OPEN COLL	IP65		IP65 encoder output
()	(Q) NPN	(CV) 1 m long	()	(VM) 7c normal
()	(R) NPN OPEN COLL	()	()	(TM) 7c sealed
()	(P) PNP	()	()	(VL) 10c normal
()	(U) PNP OPEN COLL	()	()	(TL) 10c sealed
(n)	(B) PUSH-PULL PRO		()	(VD) 9c
	(H) PUSH-PULL		()	(VH) 12c anticlock.
	(N) DRIVER 26LS31	TERMINAL BOX	()	(VH5) 12c clock-wise
	(T) TTL 7404	IP00	()	(VI) 12c crimped
	(C) DRIVER 88C30	()	()	(VE) 5c
	()		()	(VK) 17c normal
	()		()	(TK) 17c sealed
	()		()	(VN) 12c
	(X) CUSTOM OPTION		()	(VH6) 12c clock-wise
	()		()	(VM5) 26c
			()	(VM9) 16c
			()	(VS) 12c
			()	(VD5) 9c screened

OPTIONS MODEL	PULSES/REVOL. (1)	POWER SUPPLY	VERSION (2)	ELECTRONIC (2)	CONNECTION (3)	OUTPUT
E6	500	5	BZ	N	CV	AX
()	1 ÷ 1000	(Vcc)	(M) Monodirectional	(B) Bidirectional		()
(Y)		(5) 5 V ±5%	(BZ) Bidirectional + zero	(MZ) Monodirectional + zero		()
(Z)		(824) 8÷24 V				
()		(1828) 18÷28 V				
(H)		(815) 8÷15 V				
(R)		(12) 12 V ±5%				
()		(24) 24 V ±5%				
()		(1230) 12÷30/12 V				
()		(8245) 8÷24/5 V				
()		(1030) 10÷30 V				
()		(18285) 18÷28/5 V				
()		(1530) 15÷30/15 V				
(X)		()				

Product manufactured according to ISO EN 9001, supplied with CHECKING and CONFORMITY declaration with CE mark and with TWO (2) YEARS WARRANTY starting from delivery date.

NOTE: FOR 88C30 MAX 15 Vdc

- (1) For further information see PULSES/REVOL. data sheet
- (2) For further information see ELECTRONIC data sheet
- (3) For further information see CONNECTION data sheet

	<p>ELCIS s.r.l. Via Rosa Luxembourg 12/14 10093 COLLEGNO (TO) ITALY Phone: +39 011 715577/78 a.r. MAIL: ELCIS s.r.l. P.O.Box 90 10093 COLLEGNO (TO) ITALY</p>	<p>* http://www.elcis.com * e-mail: info@elcis.com * Fax: +39 011 712613</p>
--	---	---

COPYRIGHT by ELCIS - Collegno (TO)