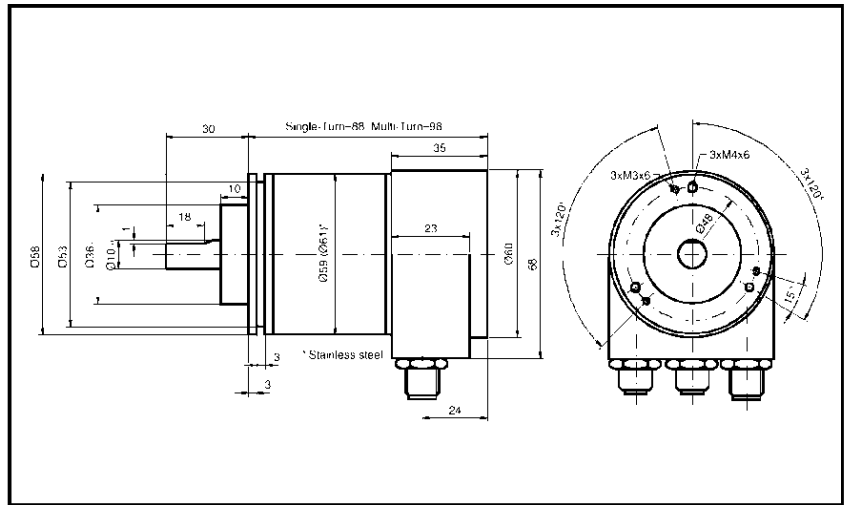


**ABSOLUTE  
ENCODER  
WITH FIELD BUS  
958HE**

Compact absolute singleturn or multiturn encoder with Ø 58 flange.  
Ethernet-TCP/IP interface. 'Servo-mount' installation by means of claws or  
frontal screws. Very good quality/price ratio.

Absolute with field bus  
page: 12.958HE 1/2  
data sheet IB 051 E00

Measures without tolerance acc. to UNI ISO 2768-mk



**TECHNICAL FEATURES AND POSSIBLE CONFIGURATIONS**

- Outout codes.....: Binary
- Max resolut.....: 16 bit/1 rev.  
: 30 bit/16384 rev.
- Pulses/rev.....: (13) 8192, (16) 65536
- No. of rev.....: 1, 4096, 16384.  
:
- Power supply Vcc.....: 10÷30 VDC
- Max consumption.....: 4 Watt
- Light source.....: LED with >= 100000 h life
- Optical sensors.....: IR photodiodes array
- Step frequency LSB....: 800 kHz
- Operating temperature.: 0 ÷ +60 °C
- Storage temperature...: -40 ÷ +85 °C
- Humidity.....: 98% (without liquid state)
- Bus connection.....: Ethernet
- Status indic. with LEDs
- Accuracy of divisions.: ±½ LSB(<13bit), ±2 LSB(13÷16bit)
- Output interface.....: (ET) Ethernet-TCP/IP

- Connections : For the codes and the descriptions of connectors see 'ORDERING CODE' on page 2.
- Housing.....: Aluminium (\*)
- Weight.....: singlet.500g ,multit. 700 g
- Shaft.....: Stainless steel
- Max radial/axial load.: 40/110 N
- IP output side.....: see 'CONNECTIONS' on page 2
- IP shaft side.....: std.64 | sealed 66
- Contin. max RPM...(\*\*): 6000 | 3000
- Starting torque..gcm.: 50 | 90
- Impact resistance.....: 30 G (11 ms)
- Vibration resistance...: 10 G (10 ÷ 1000 Hz)
- Ball bearings life....:>10^5 h @ 1000 rev./m
- SMD technology
- Polarity inversion protect.
- Over voltage peak protect.
- Disc made of unbreakable and durable plastic.
- EMC certific. according to EN 61000-6-2, EN 61000-6-4
- Transmis. rate 10/100 MBit

(\*) Custom options.

(\*\*) Intermittent max RPM + 30% of continuous max RPM.

**POSSIBLE OPTIONS**

CODE	DESCRIPTION	CODE	DESCRIPTION	CODE	DESCRIPTION
Q	All stainl. steel	W	Sealed ball bear.	X	Customer options



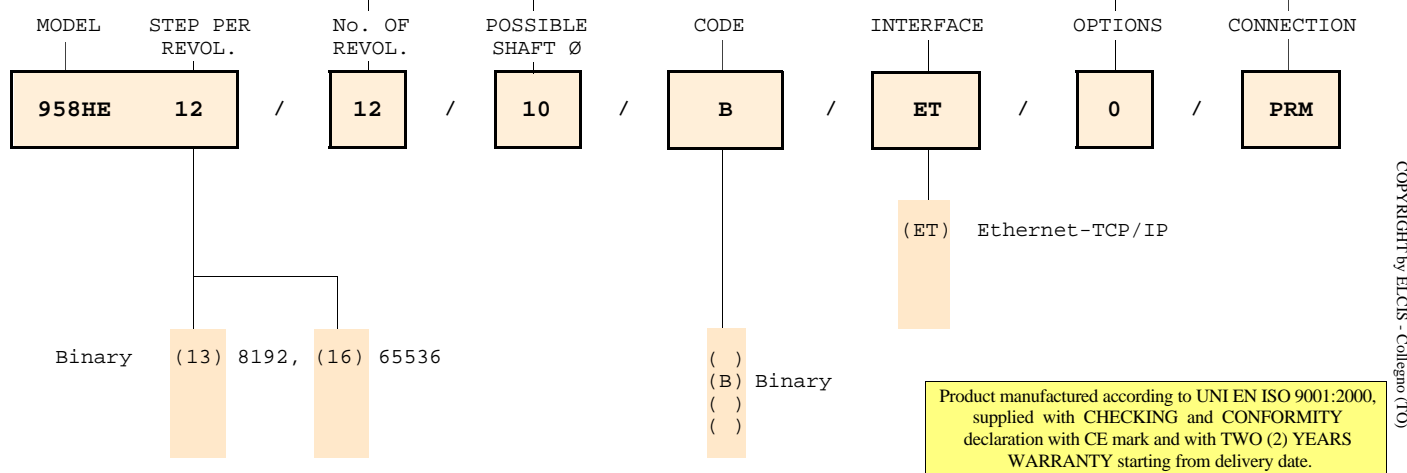
ELCIS s.r.l. Via Rosa Luxembourg 12/14 10093 COLLEGNO (TO) ITALY  
Phone: +39 011 715577/78 r.a.  
MAIL: ELCIS s.r.l. P.O.Box 43 10093 COLLEGNO (TO) ITALY

\* <http://www.elcis.com>  
\* e-mail: [info@elcis.com](mailto:info@elcis.com)  
\* Fax: +39 011 712613

INTERFACE	CONNECTIONS
» (ET) Ethernet-TCP/IP Programmable parameters: Direction or rotation (complemet); Output steps over number of revolutions; Number of revolutions; Preset value; Output of velocity; Network and e-mail parameters.	»
»	
»	
»	


**ORDERING INFORMATION**

( 00 ) 1(Singlet.)	( 10 ) Ø 10 (standard)	(Q) All stainl. steel	( PRM ) Nr. 2 M12 conn.	IP65
( 12 ) 4096	( )	(X) Customer options	( )	
( 14 ) 16384	( )	(W) Sealed ball bear.	( )	
	( )	( )	( )	
	( )	(0) Standard	( )	
	( )		( )	
	( )		( )	
	( )		( )	
	( )		( )	



Product manufactured according to UNI EN ISO 9001:2000, supplied with CHECKING and CONFORMITY declaration with CE mark and with TWO (2) YEARS WARRANTY starting from delivery date.

COPYRIGHT by ELCIS - Collegno (TO)

	ELCIS s.r.l. Via Rosa Luxembourg 12/14 10093 COLLEGNO (TO) ITALY Phone: +39 011 715577/78 r.a. MAIL: ELCIS s.r.l. P.O.Box 43 10093 COLLEGNO (TO) ITALY	* <a href="http://www.elcis.com">http://www.elcis.com</a> * e-mail: <a href="mailto:info@elcis.com">info@elcis.com</a> * Fax: +39 011 712613
--	--	--