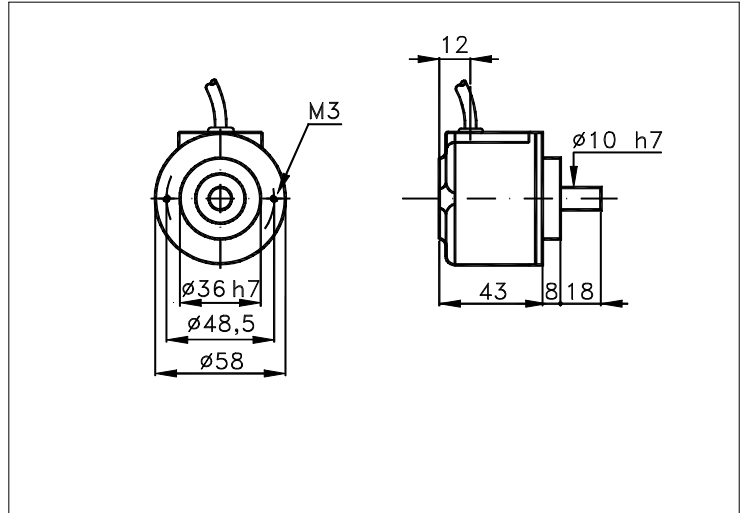


Sized draw standard version: CV R Measures without tolerance according to UNI ISO 2768-mk



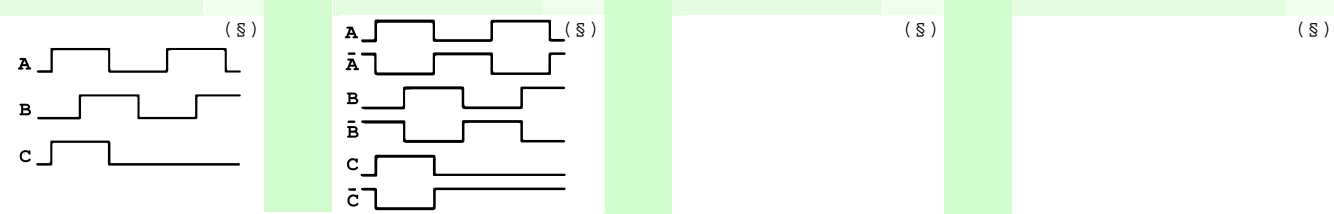
TECHNICAL FEATURES AND POSSIBLE CONFIGURATIONS

- Base.....: COMPOSITE MATERIAL (\*)
  - Cover.....: VALOX 420 (\*)
  - Weight.....: 145 g
  - Shaft.....: ACCIAIO INOX Ø 10 (\*)
  - Max.rad/axial load.: 3 kg
  - IP output side.(°): see 'CONNECTION' of page 2
  - IP shaft side.(°).> std. 54 | sealed 65 | low torq. -
  - opt. type (page 2).> standard | Z
  - Contin. max RPM(\*\*)> 6000 | 3000 | -
  - Starting torque gcm> 18 | 30 | -
  - Ball bearings life....: 1,5 x 10<sup>9</sup> revolutions
  - Impact resistance....: 50 G x 11ms
  - Vibration resistance.: 12 G (10 ÷ 2000 Hz)
  - Power supply.....: 5÷30V (see page 2)
  - Operating temperature: 0 ÷ 60 °C (\*)
  - Storage temperature...: -30 ÷ 85 °C
  - N° of pulses/rev.....: 1 ÷ 1024
  - Max frequency.....: 60 kHz
  - Max consumptions mA...: std 120 line driver 180 (\*)
  - Light source.....: LED with >= 100000 h life
- (°) IP according to CEI EN 60529, EN 60529, IEC 529  
 (\*) custom options  
 (\*\*) intermittent max RPM + 30% of continuous max RPM

ELECTRONICS

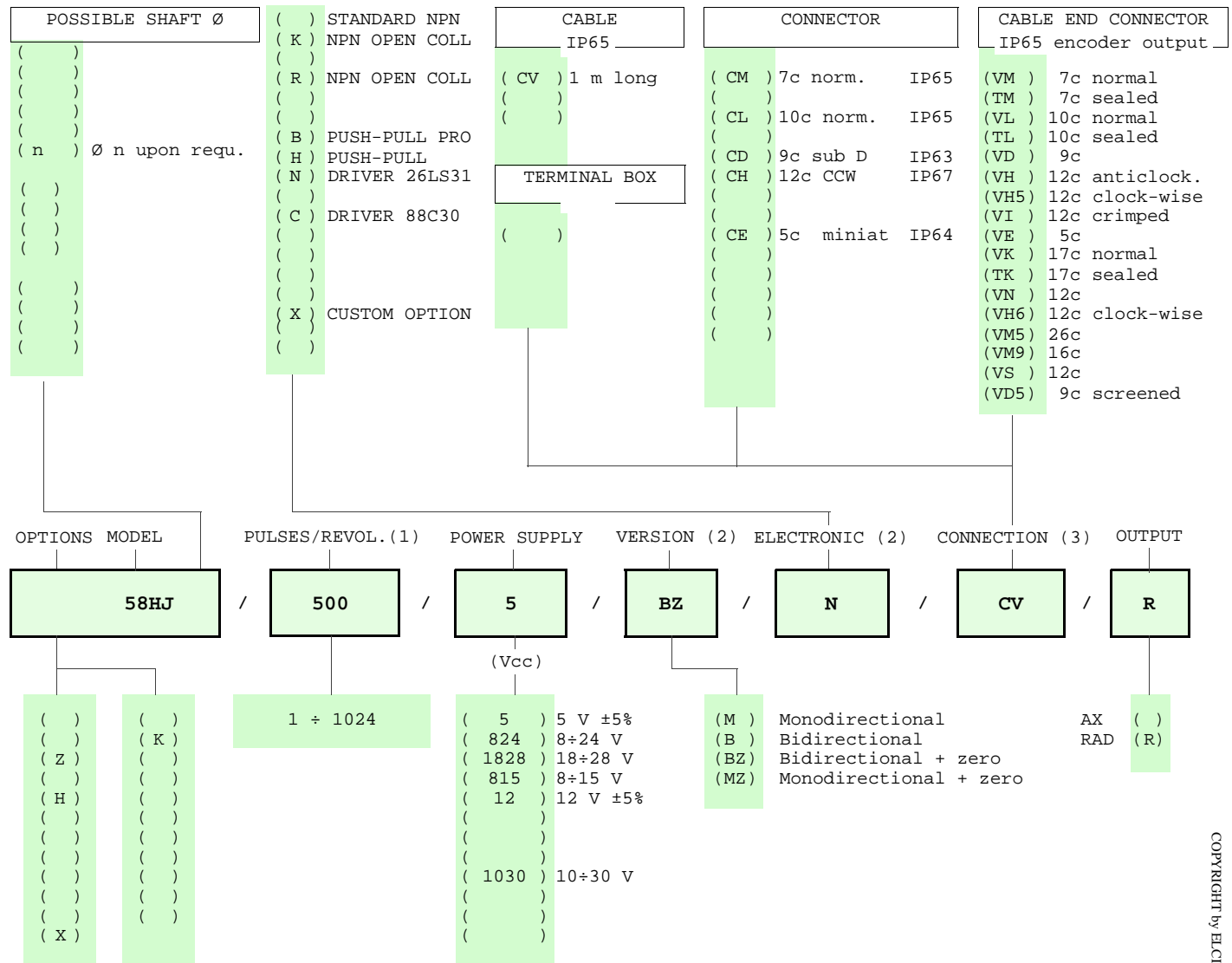
| CODE | DESCRIPTION   | mA | CODE | DESCRIPTION   | mA | CODE | DESCRIPTION | mA | CODE | DESCRIPTION | mA |
|------|---------------|----|------|---------------|----|------|-------------|----|------|-------------|----|
| K    | STANDARD NPN  | 10 | N    | DRIVER 26LS31 | 30 |      |             |    |      |             |    |
|      | NPN OPEN COLL | 10 | C    | DRIVER 88C30  | 20 |      |             |    |      |             |    |
| R    | NPN OPEN COLL | 70 |      |               |    |      |             |    |      |             |    |
| B    | PUSH-PULL PRO | 70 |      |               |    |      |             |    |      |             |    |
| H    | PUSH-PULL     | 70 |      |               |    |      |             |    |      |             |    |

(§) Tolerance between phases ± 35°, symmetry ± 15°  
 (§) Clock-wise output rotation (see shaft).



| POSSIBLE OPTIONS |                     |      |                         | POSSIBLE CONNECTIONS |                |                                   |           |
|------------------|---------------------|------|-------------------------|----------------------|----------------|-----------------------------------|-----------|
| CODE             | DESCRIPTION         | CODE | DESCRIPTION             | CABLE                |                |                                   | OUTPUT:   |
| Z                | Sealed ball bearing | K    | Invert. phase A,B,Zero. | CV                   |                |                                   | AX<br>RAD |
| H                | Different shaft Ø   |      |                         | CONNECTOR            |                |                                   | OUTPUT:   |
|                  |                     |      |                         | CM<br>CE             | CL<br>CD<br>CH |                                   | AX<br>RAD |
|                  |                     |      |                         | CABLE END CONNECTOR  |                |                                   | OUTPUT:   |
| X                | Custom options      |      |                         | VM<br>VE<br>VD5      | TM<br>VK<br>VN | VL<br>TL<br>VH<br>VH5<br>VI<br>VS | AX<br>RAD |
|                  |                     |      |                         | TERMINAL BOX         |                |                                   | OUTPUT:   |


**ORDERING INFORMATION**



NOTE: FOR 88C30 MAX 15 Vdc

Product manufactured according to UNI EN ISO 9001:2000 supplied with CHECKING and CONFORMITY declaration with CE mark and with TWO (2) YEARS WARRANTY starting from delivery date.

- (1) For further information see PULSES/REVOL. data sheet
- (2) For further information see ELECTRONIC data sheet
- (3) For further information see CONNECTION data sheet

|  |  |  |
|--|--|--|
|  | ELCIS s.r.l. Via Rosa Luxembourg 12/14 10093 COLLEGNO (TO) ITALY | * <a href="http://www.elcis.com">http://www.elcis.com</a>    |
|  | Phone: +39 011 715577/78 a.r.                                    | * e-mail: <a href="mailto:info@elcis.com">info@elcis.com</a> |
|  | MAIL: ELCIS s.r.l. P.O.Box 90 10093 COLLEGNO (TO) ITALY          | * Fax: +39 011 712613  |

COPYRIGHT by ELCIS - Collegno (TO)