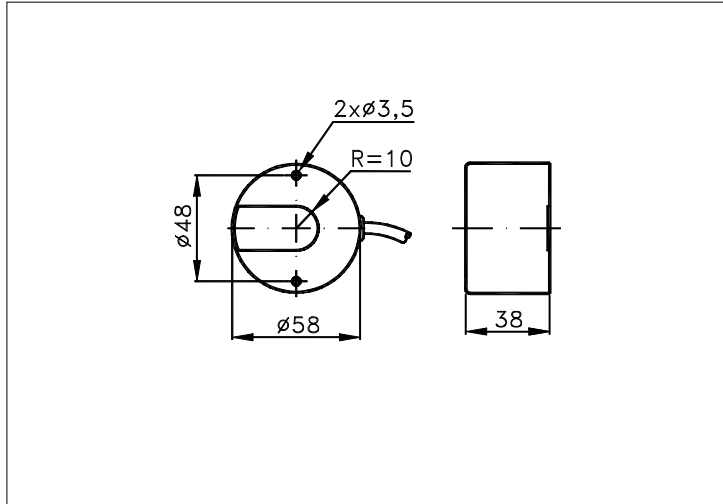


58BL

Sized draw standard version: CV R Measures without tolerance according to UNI ISO 2768-mk

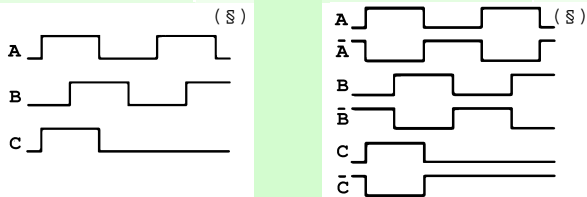


TECHNICAL FEATURES AND POSSIBLE CONFIGURATIONS

- Base.....: ANODIZED ALUMINIUM (*)
 - Cover.....: ANODIZED ALUMINIUM (*)
 - Weight.....: 200 g
 - Shaft.....: Ø 2÷8 HOLLOW ALUMINIUM (*)
 - Max.rad/axial load.: ---
 - IP output side.(°): see 'CONNECTION' of page 2
 - IP shaft side.(°)> std. 00 sealed - low torq. -
 - opt. type (page 2)> standard
 - Contin. max RPM(**)> 8000 - -
 - Starting torque gcm> - -
 - Ball bearings life...: 1,5 x 10⁹ revolutions
 - Impact resistance....: 50 G x 11ms
 - Vibration resistance.: 12 G (10 ÷ 2000 Hz)
 - Power supply.....: 5÷30V (see page 2)
 - Operating temperature: 0 ÷ 70 °C (*)
 - Storage temperature...: -30 ÷ 85 °C
 - N° of pulses/rev.....: 1 ÷ 1024
 - Max frequency.....: 40 kHz (75 option)
 - Max consumptions mA...: std 120 line driver 180 (*)
 - Light source.....: LED with >= 100000 h life
- (°) IP according to CEI EN 60529, EN 60529, IEC 529
 (*) custom options
 (**) intermittent max RPM + 30% of continuous max RPM

ELECTRONICS

CODE	DESCRIPTION	mA	CODE	DESCRIPTION	mA	CODE	DESCRIPTION	mA	CODE	DESCRIPTION	mA
	STANDARD NPN	10	N	DRIVER 26LS31	30						
K	NPN OPEN COLL	10	T	TTL 7404	10						
Q	NPN	70	C	DRIVER 88C30	20						
R	NPN OPEN COLL	70									
P	PNP	70									
U	PNP OPEN COLL	70									
B	PUSH-PULL PRO	70									
H	PUSH-PULL	70									



Tolerance between phases ± 25°, symmetry ± 15°

(§) Clock-wise output rotation (see shaft).



ELCIS s.r.l. Via Rosa Luxembourg 12/14 10093 COLLEGNO (TO) ITALY
 Phone: +39 011 715577/78 a.r.
 MAIL: ELCIS s.r.l. P.O.Box 90 10093 COLLEGNO (TO) ITALY

* <http://www.elcis.com>
 * e-mail: info@elcis.com
 * Fax: +39 011 712613

POSSIBLE OPTIONS				POSSIBLE CONNECTIONS			
CODE	DESCRIPTION	CODE	DESCRIPTION	CABLE		OUTPUT:	
Y	Unbreakable disk	K	Invert. phase A,B,Zero.	CV		RAD	
		J	Zero logic combination	CONNECTOR		OUTPUT:	
		M	Impregnated electronic	CD		RAD	
R	75 KHz frequency	G	Tropicalization	CABLE END CONNECTOR		OUTPUT:	
				VM TM VL TL VD VH VH5 VI	RAD		
				VE VK TK VN VH6 VM5 VM9 VS	RAD		
				VD5	RAD		
X	Custom options			TERMINAL BOX		OUTPUT:	

ORDERING INFORMATION

POSSIBLE HOLLOW Ø	STANDARD NPN	CABLE	CONNECTOR	CABLE END CONNECTOR
(2) Ø 2	(K) NPN OPEN COLL	IP65		IP65 encoder output
(4) Ø 4	(Q) NPN	(CV) 1 m long	()	(VM) 7c normal
(6) Ø 6	(R) NPN OPEN COLL	()	()	(TM) 7c sealed
(8) Ø 8	(P) PNP	()	()	(VL) 10c normal
()	(U) PNP OPEN COLL	()	()	(TL) 10c sealed
(n) Ø n upon requ.	(B) PUSH-PULL PRO	TERMINAL BOX	(CD) 9c sub D IP63	(VD) 9c
()	(H) PUSH-PULL	IP00	()	(VH) 12c anticlock.
()	(N) DRIVER 26LS31	()	()	(VH5) 12c clock-wise
()	(T) TTL 7404	()	()	(VI) 12c crimped
()	(C) DRIVER 88C30	()	()	(VE) 5c
()	()	()	()	(VK) 17c normal
()	()	()	()	(TK) 17c sealed
()	()	()	()	(VN) 12c
()	(X) CUSTOM OPTION	()	()	(VH6) 12c clock-wise
()	()	()	()	(VM5) 26c
()	()	()	()	(VM9) 16c
()	()	()	()	(VS) 12c
()	()	()	()	(VD5) 9c screened

OPTIONS	MODEL	PULSES/REVOL. (1)	POWER SUPPLY	VERSION (2)	ELECTRONIC (2)	CONNECTION (3)	OUTPUT
()	58BL	500	5	BZ	N	CV	R
(Y)	()	1 ÷ 1024	(Vcc)	(M) Monodirectional	(B) Bidirectional		()
()	(K)		(5) 5 V ±5%	(BZ) Bidirectional + zero	(MZ) Monodirectional + zero		RAD (R)
()	(J)		(824) 8÷24 V				
()	(M)		(1828) 18÷28 V				
()	()		(815) 8÷15 V				
(R)	()		(12) 12 V ±5%				
()	()		(24) 24 V ±5%				
()	(G)		(1230) 12÷30/12 V				
()	()		(8245) 8÷24/5 V				
()	()		(1030) 10÷30 V				
()	()		(18285) 18÷28/5 V				
()	()		(1530) 15÷30/15 V				
(X)	()		()				

Product manufactured according to ISO EN 9001, supplied with CHECKING and CONFORMITY declaration with CE mark and with TWO (2) YEARS WARRANTY starting from delivery date.

NOTE: FOR 88C30 MAX 15 Vdc

- (1) For further information see PULSES/REVOL. data sheet
- (2) For further information see ELECTRONIC data sheet
- (3) For further information see CONNECTION data sheet

ELCIS company has the right to make any changing without previous notice. data sheet II056E00 page: 08. 58BL 1/2

	<p>ELCIS s.r.l. Via Rosa Luxembourg 12/14 10093 COLLEGNO (TO) ITALY Phone: +39 011 715577/78 a.r. MAIL: ELCIS s.r.l. P.O.Box 90 10093 COLLEGNO (TO) ITALY</p>	<p>* http://www.elcis.com * e-mail: info@elcis.com * Fax: +39 011 712613</p>
--	---	---

COPYRIGHT by ELCIS - Collegno (TO)