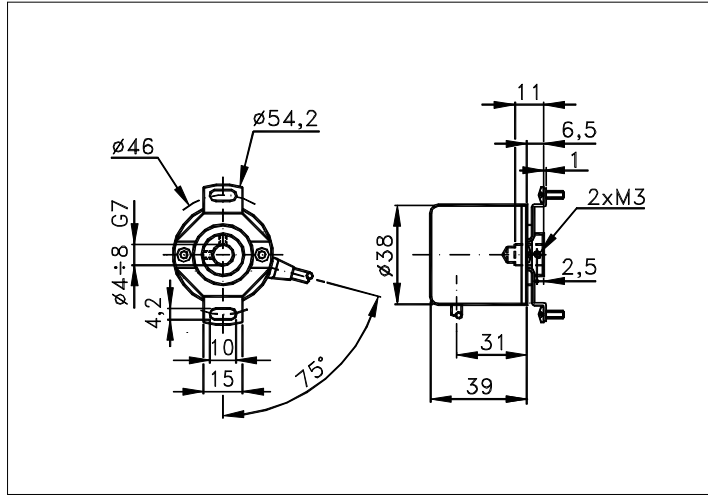


Sized draw standard version: CVC R Measures without tolerance according to UNI ISO 2768-mk
Max joint compensation: axial ± 0,2mm, radial ± 0,2mm, angular ± 1,5°



TECHNICAL FEATURES AND POSSIBLE CONFIGURATIONS

- Base.....: ALUMINIUM
 - Cover.....: STEEL
 - Weight.....: 180 g
 - Shaft.....: Ø 4÷8 HOLLOW STEEL
 - Max.rad/axial load.: 1,5 kg
 - IP output side.(°): see 'CONNECTION' of page 2
 - IP shaft side.(°):> std. 54 | sealed - | low torq. -
opt. type (page 2):> standard
 - Contin. max RPM(**):> 5000 - -
 - Starting torque gcm> 5 - -
 - Ball bearings life...: 1,5 x 10⁹ revolutions
 - Impact resistance....: 40 G x 11ms
 - Vibration resistance..: 10 G (10 ÷ 2000 Hz)
 - Power supply.....: 5÷24V (see page 2)
 - Operating temperature: -10÷70 °C
 - Storage temperature...: -25÷80 °C
 - N° of pulses/rev.....: 1 ÷ 2500
 - Max frequency.....: 100 kHz (160 option)
 - Max consumptions mA...: max 120
 - Light source.....: LED with >= 100000 h life
- (°) IP according to CEI EN 60529, EN 60529, IEC 529
- (**) intermittent max RPM + 30% of continuous max RPM

ELECTRONICS

CODE	DESCRIPTION	mA	CODE	DESCRIPTION	mA	CODE	DESCRIPTION	mA	CODE	DESCRIPTION	mA
			N	LINE DRIVER	30						
H	PUSH-PULL	30									

(§)

(§)

(§)

(§)

Tolerance between phases ± 45°, symmetry ± 20°

(§) Clock-wise output rotation (see shaft).

