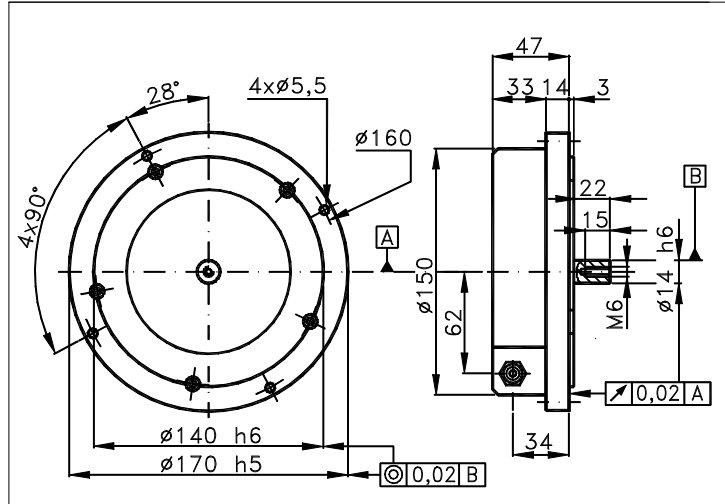


Sized draw standard version: CV R Measures without tolerance according to UNI ISO 2768-mk

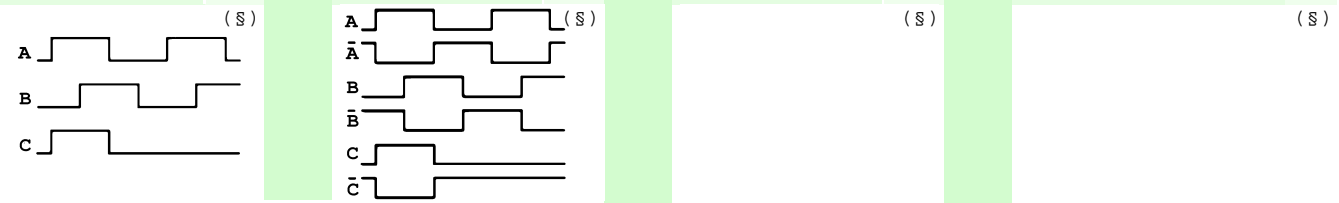


TECHNICAL FEATURES AND POSSIBLE CONFIGURATIONS

- Base.....: STAINLESS STEEL (*)
 - Cover.....: ANODIZED ALUMINIUM (*)
 - Weight.....: 3000 g
 - Shaft.....: Ø 14 STAINLESS STEEL (*)
 - Max.rad/axial load.: 3 kg
 - IP output side.(°): see 'CONNECTION' of page 2
 - IP shaft side.(°)> std. 65 | sealed - | low torq. 53
opt. type (page 2)> standard | | B
 - Contin. max RPM(**)> 500 - 800
 - Starting torque gcm> 600 - 300
 - Ball bearings life...: 1,5 x 10⁹ revolutions
 - Impact resistance....: 50 G x 11ms
 - Vibration resistance.: 12 G (10 ÷ 2000 Hz)
 - Power supply.....: 5÷30V (see page 2)
 - Operating temperature: 0 ÷ 70 °C (*)
 - Storage temperature...: -30 ÷ 85 °C
 - N° of pulses/rev.....: 18000÷90000
 - Max frequency.....: 100 kHz (1000 option)
 - Max consumptions mA...: std 120 line driver 180 (*)
 - Light source.....: LED with >= 100000 h life
- (°) IP according to CEI EN 60529, EN 60529, IEC 529
(*) custom options
(**) intermittent max RPM + 30% of continuous max RPM

ELECTRONICS

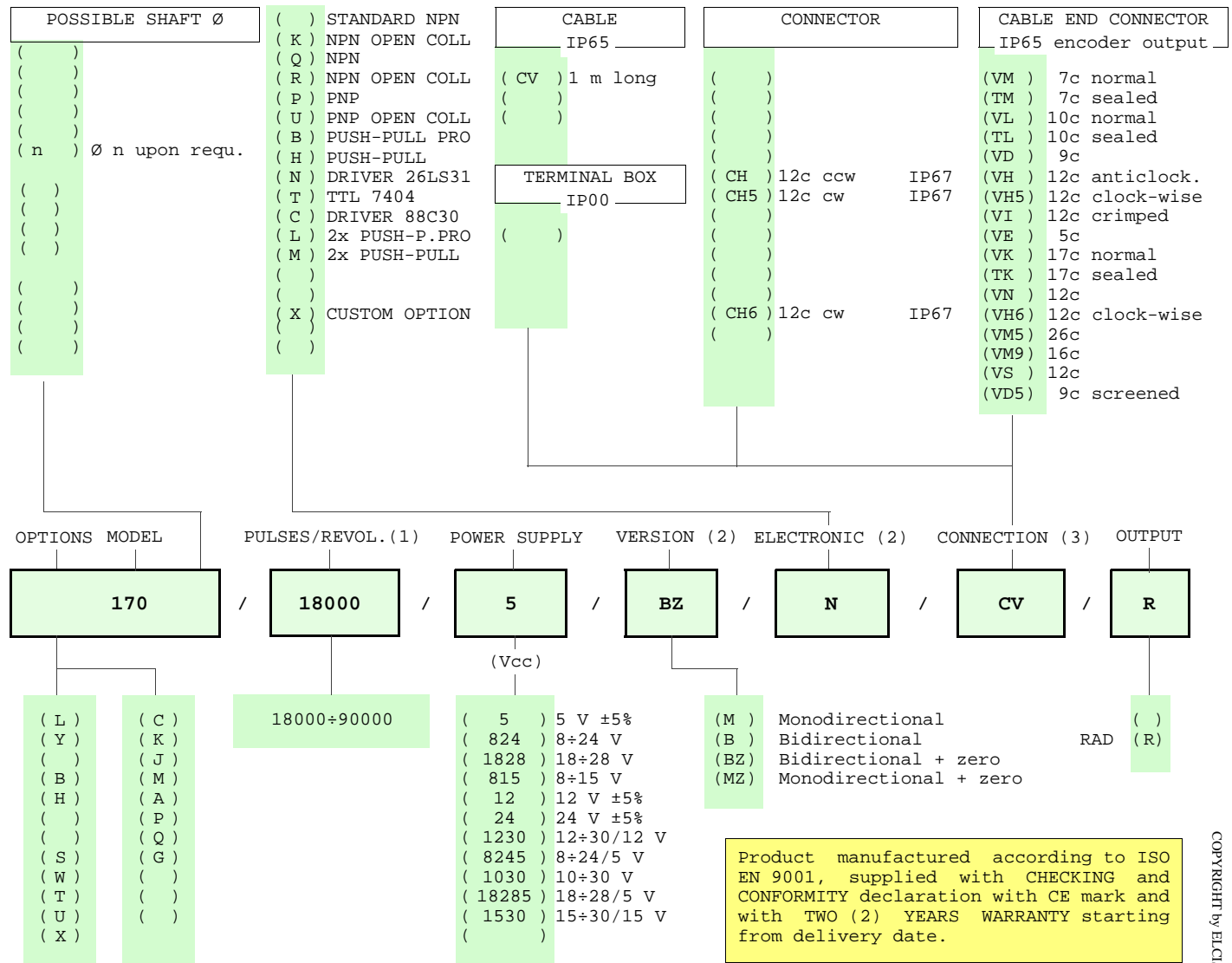
| CODE | DESCRIPTION | mA | CODE | DESCRIPTION | mA | CODE | DESCRIPTION | mA | CODE | DESCRIPTION | mA |
|------|---------------|----|------|---------------|----|------|-------------|----|------|-------------|----|
| | STANDARD NPN | 10 | N | DRIVER 26LS31 | 30 | | | | | | |
| K | NPN OPEN COLL | 10 | T | TTL 7404 | 10 | | | | | | |
| Q | NPN | 70 | C | DRIVER 88C30 | 20 | | | | | | |
| R | NPN OPEN COLL | 70 | L | 2x PUSH-P.PRO | 70 | | | | | | |
| P | PNP | 70 | M | 2x PUSH-PULL | 70 | | | | | | |
| U | PNP OPEN COLL | 70 | | | | | | | | | |
| B | PUSH-PULL PRO | 70 | | | | | | | | | |
| H | PUSH-PULL | 70 | | | | | | | | | |



(§) Clock-wise output rotation (see shaft).

| POSSIBLE OPTIONS | | | | POSSIBLE CONNECTIONS | | | |
|------------------|-----------------------|------|-------------------------|----------------------------|--|--|---------|
| CODE | DESCRIPTION | CODE | DESCRIPTION | CABLE | | | OUTPUT: |
| L | Low temperature | C | Low consumption | CV | | | RAD |
| Y | Unbreakable disk | K | Invert. phase A,B,Zero. | CONNECTOR | | | OUTPUT: |
| B | Low torque ball bear. | J | Zero logic combination | CH CH5 | | | |
| H | Different shaft Ø | M | Impregnated electronic | CH6 | | | RAD |
| S | 160 KHz frequency | A | High temperature | CABLE END CONNECTOR | | | OUTPUT: |
| W | 300 KHz frequency | P | Compressed air attack | VM TM VL TL VD VH VH5 VI | | | |
| T | 500 KHz frequency | Q | Oil seal | VE VK TK VN VH6 VM5 VM9 VS | | | RAD |
| U | 1 MHz frequency | G | Tropicalization | TERMINAL BOX | | | OUTPUT: |
| X | Custom options | | | | | | |

ORDERING INFORMATION



NOTE: FOR 88C30 MAX 15 Vdc

- (1) For further information see PULSES/REVOL. data sheet
- (2) For further information see ELECTRONIC data sheet
- (3) For further information see CONNECTION data sheet

| | | |
|--|---|---|
| | <p>ELCIS s.r.l. Via Rosa Luxembourg 12/14 10093 COLLEGNO (TO) ITALY Phone: +39 011 715577/78 a.r. MAIL: ELCIS s.r.l. P.O.Box 90 10093 COLLEGNO (TO) ITALY</p> | <p>* http://www.elcis.com * e-mail: info@elcis.com * Fax: +39 011 712613</p> |
|--|---|---|

COPYRIGHT by ELCIS - Collegno (TO)