

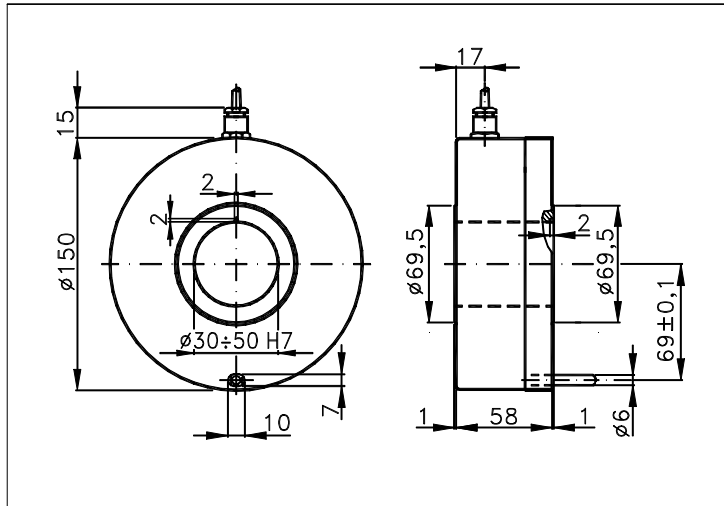
INCREMENTAL ENCODER

150C

HIGH RESOLUTION ENCODER (MAX 90000 PPR). THROUGH SHAFT $\varnothing 30 \pm 0,05$ mm AND EQUIPPED WITH INSIDE A TANGENTIAL COUPLING. METALLIC CASE FOR MEDIUM-SEVERE INDUSTRIAL USES.

Incremental page: 04.150C 1/2
data sheet . II 078 E00

Sized draw standard version: CV R Measures without tolerance according to UNI ISO 2768-mk
Max joint compensation: axial $\pm 0,2$ mm, radial $\pm 0,05$ mm, angular $\pm 2^\circ$



TECHNICAL FEATURES AND POSSIBLE CONFIGURATIONS

- | | |
|--|--|
| - Base.....: ANODIZED ALUMINIUM (*) | - Ball bearings life...: $1,5 \times 10^9$ revolutions |
| - Cover.....: ANODIZED ALUMINIUM (*) | - Impact resistance....: 50 G x 11ms |
| - Weight.....: 1250 g | - Vibration resistance..: 12 G (10 ÷ 2000 Hz) |
| - Shaft.....: $\varnothing 30 \pm 0,05$ PASS.THR.STAIN.ST. (*) | - Power supply.....: 5÷30V (see page 2) |
| - Max.rad/axial load.: 15 kg | - Operating temperature: 0 ÷ 70 °C (*) |
| - IP output side.(°): see 'CONNECTION' of page 2 | - Storage temperature...: -30 ÷ 85 °C |
| - IP shaft side.(°):> std. 65 sealed - low torq. - | - N° of pulses/rev.....: 1 ÷ 90000 |
| opt. type (page 2):> standard | - Max frequency.....: 100 kHz (300 option) |
| - Contin. max RPM(**):> 500 - - | - Max consumptions mA...: std 120 line driver 180 (*) |
| - Starting torque gcm> 1500 - - | - Light source.....: LED with ≥ 100000 h life |
- (°) IP according to CEI EN 60529, EN 60529, IEC 529
(*) custom options
(**) intermittent max RPM + 30% of continuous max RPM

ELECTRONICS

| CODE | DESCRIPTION | mA | CODE | DESCRIPTION | mA | CODE | DESCRIPTION | mA | CODE | DESCRIPTION | mA |
|------|---------------|----|------|---------------|----|------|-------------|----|------|-------------|----|
| | STANDARD NPN | 10 | N | DRIVER 26LS31 | 30 | | | | | | |
| K | NPN OPEN COLL | 10 | T | TTL 7404 | 10 | | | | | | |
| Q | NPN | 70 | C | DRIVER 88C30 | 20 | | | | | | |
| R | NPN OPEN COLL | 70 | | | | | | | | | |
| P | PNP | 70 | | | | | | | | | |
| U | PNP OPEN COLL | 70 | | | | | | | | | |
| B | PUSH-PULL PRO | 70 | | | | | | | | | |
| H | PUSH-PULL | 70 | | | | | | | | | |

(§)

(§)

(§)

(§)

Tolerance between phases $\pm 25^\circ$, symmetry $\pm 15^\circ$

(§) Clock-wise output rotation (see shaft).



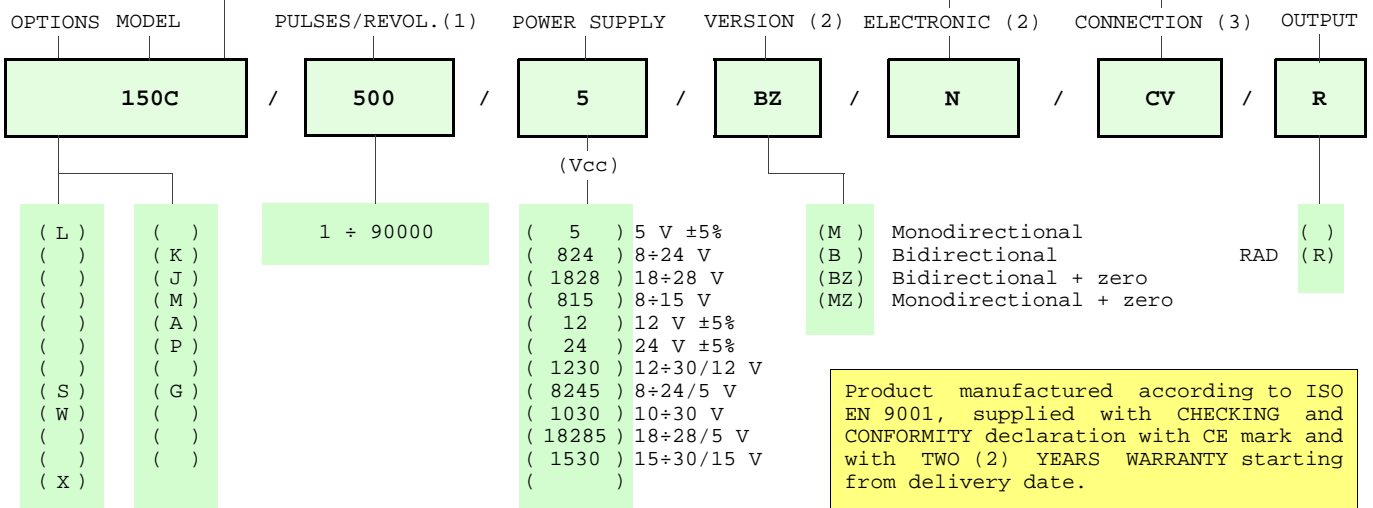
ELCIS s.r.l. Via Rosa Luxembourg 12/14 10093 COLLEGNO (TO) ITALY
Phone: +39 011 715577/78 a.r.
MAIL: ELCIS s.r.l. P.O.Box 90 10093 COLLEGNO (TO) ITALY

* <http://www.elcis.com>
* e-mail: info@elcis.com
* Fax: +39 011 712613

| POSSIBLE OPTIONS | | | | POSSIBLE CONNECTIONS | | | |
|------------------|-------------------|------|-------------------------|----------------------|-----|-----|---------|
| CODE | DESCRIPTION | CODE | DESCRIPTION | CABLE | | | OUTPUT: |
| L | Low temperature | K | Invert. phase A,B,Zero. | CV | | | RAD |
| | | J | Zero logic combination | CONNECTOR | | | OUTPUT: |
| | | M | Impregnated electronic | | CH | CH5 | |
| | | A | High temperature | | CH6 | | RAD |
| | | P | Compressed air attack | CABLE END CONNECTOR | | | OUTPUT: |
| S | 160 KHz frequency | G | Tropicalization | VM | TM | VL | TL |
| W | 300 KHz frequency | | | VD | VH | VH5 | VI |
| | | | | VE | VK | TK | VN |
| | | | | VM5 | VM9 | VS | |
| X | Custom options | | | VD5 | | | RAD |
| | | | | TERMINAL BOX | | | OUTPUT: |

ORDERING INFORMATION


| POSSIBLE HOLLOW Ø | | CABLE | CONNECTOR | CABLE END CONNECTOR |
|----------------------|---------------------|-----------------|----------------|------------------------|
| (30) Ø 30 | () STANDARD NPN | IP65 | | IP65 encoder output |
| (35) Ø 35 | (K) NPN OPEN COLL | (CV) 1 m long | () | (VM) 7c normal |
| (40) Ø 40 | (Q) NPN | () | () | (TM) 7c sealed |
| (45) Ø 45 | (R) NPN OPEN COLL | () | () | (VL) 10c normal |
| (50) Ø 50 | (P) PNP | () | () | (TL) 10c sealed |
| (n) Ø n upon requ. | (U) PNP OPEN COLL | TERMINAL BOX | () | (VD) 9c |
| () | (B) PUSH-PULL PRO | IP00 | (CH) 12c ccw | (VH) 12c anticlock. |
| () | (H) PUSH-PULL | | (CH5) 12c cw | (VH5) 12c clock-wise |
| () | (N) DRIVER 26LS31 | | () | (VI) 12c crimped |
| () | (T) TTL 7404 | | () | (VE) 5c |
| () | (C) DRIVER 88C30 | | () | (VK) 17c normal |
| () | () | | () | (TK) 17c sealed |
| () | () | | () | (VN) 12c |
| () | (X) CUSTOM OPTION | | (CH6) 12c cw | (VH6) 12c clock-wise |
| () | () | | () | (VM5) 26c |
| () | () | | () | (VM9) 16c |
| () | () | | () | (VS) 12c |
| () | () | | () | (VD5) 9c screened |



Product manufactured according to ISO EN 9001, supplied with CHECKING and CONFORMITY declaration with CE mark and with TWO (2) YEARS WARRANTY starting from delivery date.

NOTE: FOR 88C30 MAX 15 Vdc

- (1) For further information see PULSES/REVOL. data sheet
- (2) For further information see ELECTRONIC data sheet
- (3) For further information see CONNECTION data sheet

| | | |
|--|--|--|
|  | ELCIS s.r.l. Via Rosa Luxembourg 12/14 10093 COLLEGNO (TO) ITALY | * http://www.elcis.com |
| | Phone: +39 011 715577/78 a.r. | * e-mail: info@elcis.com |
| | MAIL: ELCIS s.r.l. P.O.Box 90 10093 COLLEGNO (TO) ITALY | * Fax: +39 011 712613 |