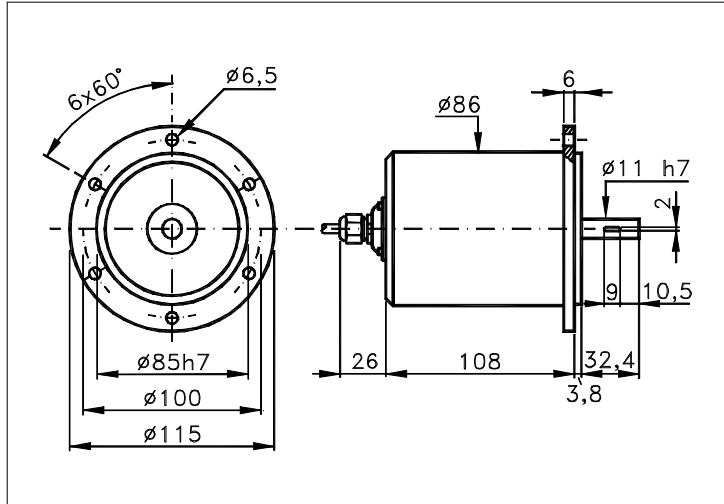


**115R**

Sized draw standard version: CV Measures without tolerance according to UNI ISO 2768-mk



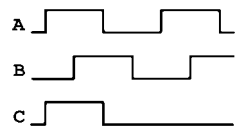
**TECHNICAL FEATURES AND POSSIBLE CONFIGURATIONS**

- Base.....: ANODIZED ALUMINIUM (\*)
  - Cover.....: ANODIZED ALUMINIUM (\*)
  - Weight.....: 1450 g
  - Shaft.....: Ø 11 STAINLESS STEEL (\*)
  - Max.rad/axial load.: 18 kg
  - IP output side.(°): see 'CONNECTION' of page 2
  - IP shaft side.(°):> std. 66 | sealed 67 | low torq. -
  - opt. type (page 2):> standard | Z
  - Contin. max RPM(\*\*):> 6000 | 3000 | -
  - Starting torque gcm> 90 | 150 | -
  - Ball bearings life...: 1,5 x 10<sup>9</sup> revolutions
  - Impact resistance....: 50 G x 11ms
  - Vibration resistance..: 12 G (10 ÷ 2000 Hz)
  - Power supply.....: 5÷30V (see page 2)
  - Operating temperature: 0 ÷ 70 °C (\*)
  - Storage temperature...: -30 ÷ 85 °C
  - N° of pulses/rev.....: 1 ÷ 25000
  - Max frequency.....: 100 kHz (300 option)
  - Max consumptions mA...: std 120 line driver 180 (\*)
  - Light source.....: LED with >= 100000 h life
- (°) IP according to CEI EN 60529, EN 60529, IEC 529  
(\*) custom options  
(\*\*) intermittent max RPM + 30% of continuous max RPM

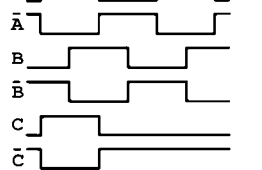
**ELECTRONICS**

CODE	DESCRIPTION	mA	CODE	DESCRIPTION	mA	CODE	DESCRIPTION	mA	CODE	DESCRIPTION	mA
	STANDARD NPN	10	N	DRIVER 26LS31	30	D	DISCRIMINAT.	70	Y	SINUSOID. 1Vpp	10
K	NPN OPEN COLL	10	T	TTL 7404	10						
Q	NPN	70	C	DRIVER 88C30	20						
R	NPN OPEN COLL	70	L	2x PUSH-P.PRO	70						
P	PNP	70	M	2x PUSH-PULL	70						
U	PNP OPEN COLL	70									
B	PUSH-PULL PRO	70									
H	PUSH-PULL	70									

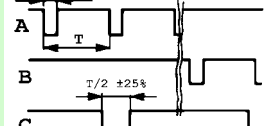
(§) Clock-wise output rotation (see shaft).



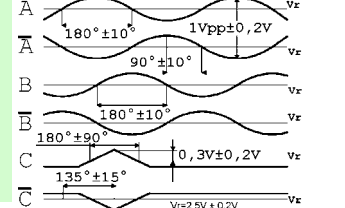
(§) Clock-wise output rotation (see shaft).



(§) Clock-wise output rotation (see shaft).



(§) Clock-wise output rotation (see shaft).



Tolerance between phases ± 25°, symmetry ± 15°

(§) Clock-wise output rotation (see shaft).

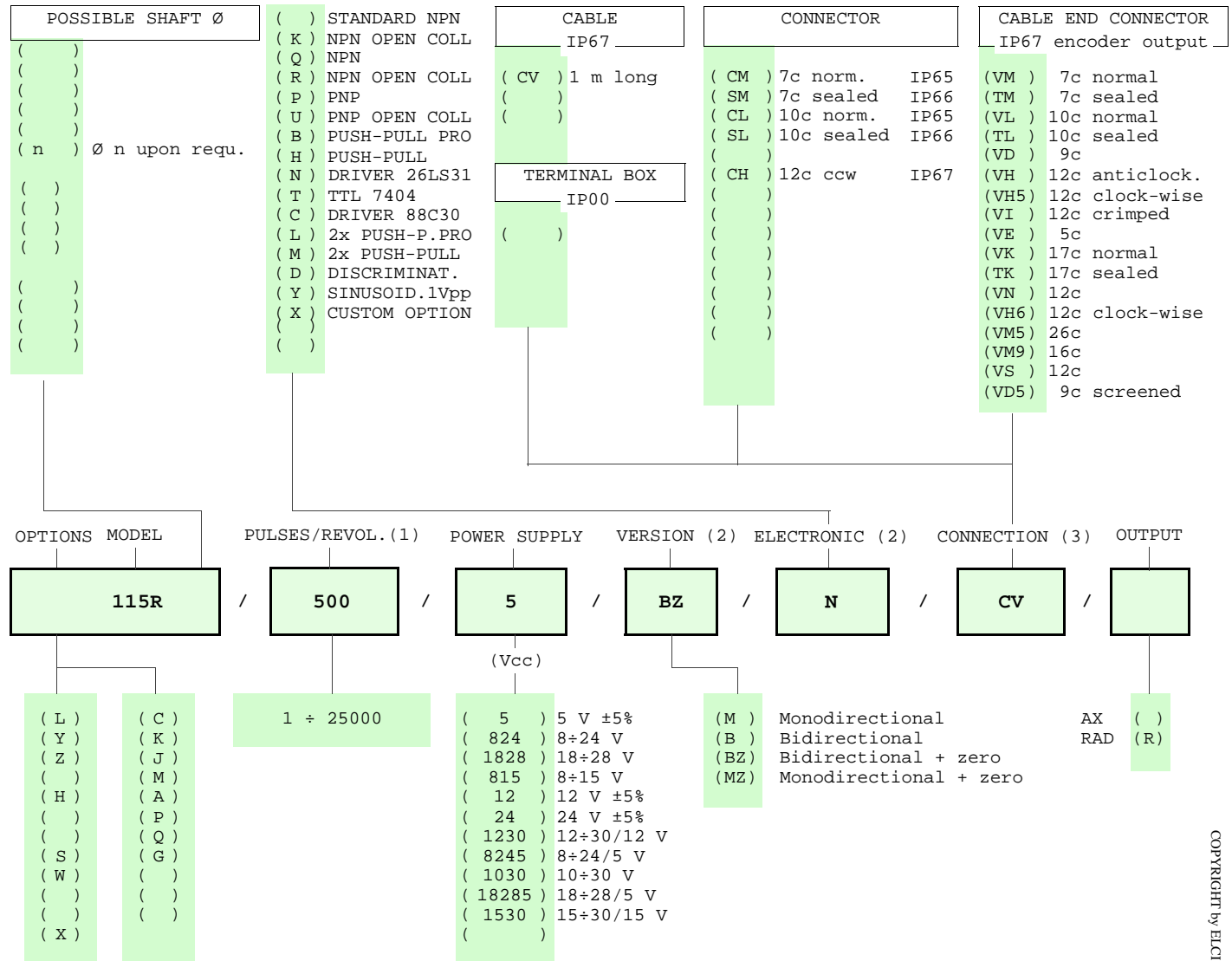


ELCIS s.r.l. Via Rosa Luxembourg 12/14 10093 COLLEGNO (TO) ITALY  
Phone: +39 011 715577/78 a.r.  
MAIL: ELCIS s.r.l. P.O.Box 43 10093 COLLEGNO (TO) ITALY

\* <http://www.elcis.com>  
\* e-mail: [info@elcis.com](mailto:info@elcis.com)  
\* Fax: +39 011 712613

POSSIBLE OPTIONS				POSSIBLE CONNECTIONS								
CODE	DESCRIPTION	CODE	DESCRIPTION	CABLE				OUTPUT:				
L	Low temperature	C	Low consumption	CV				AX RAD				
Y	Unbreakable disk	K	Invert. phase A,B,Zero.	CONNECTOR				OUTPUT:				
Z	Sealed ball bearing	J	Zero logic combination	CM	SM	CL	SL	CH	AX RAD			
H	Different shaft Ø	M	Impregnated electronic	CABLE END CONNECTOR				OUTPUT:				
S	160 KHz frequency	A	High temperature	VM	TM	VL	TL	VD	VH	VH5	VI	AX RAD
W	300 KHz frequency	P	Compressed air attack	VE	VK	TK	VN	VH6	VM5	VM9	VS	RAD
X	Custom options	Q	Oil seal	TERMINAL BOX				OUTPUT:				
		G	Tropicalization									

### ORDERING INFORMATION



NOTE: FOR 88C30 MAX 15 Vdc

Product manufactured according to UNI EN ISO 9001:2000, supplied with CHECKING and CONFORMITY declaration with CE mark and with TWO (2) YEARS WARRANTY starting from delivery date.

- (1) For further information see PULSES/REVOL. data sheet
- (2) For further information see ELECTRONIC data sheet
- (3) For further information see CONNECTION data sheet

	<p>ELCIS s.r.l. Via Rosa Luxembourg 12/14 10093 COLLEGNO (TO) ITALY          Phone: +39 011 715577/78 a.r.          MAIL: ELCIS s.r.l. P.O.Box 43 10093 COLLEGNO (TO) ITALY</p>	<p>* <a href="http://www.elcis.com">http://www.elcis.com</a>          * e-mail: <a href="mailto:info@elcis.com">info@elcis.com</a>          * Fax: +39 011 712613</p>
--	---	---

COPYRIGHT by ELCIS - Collegno (TO)