

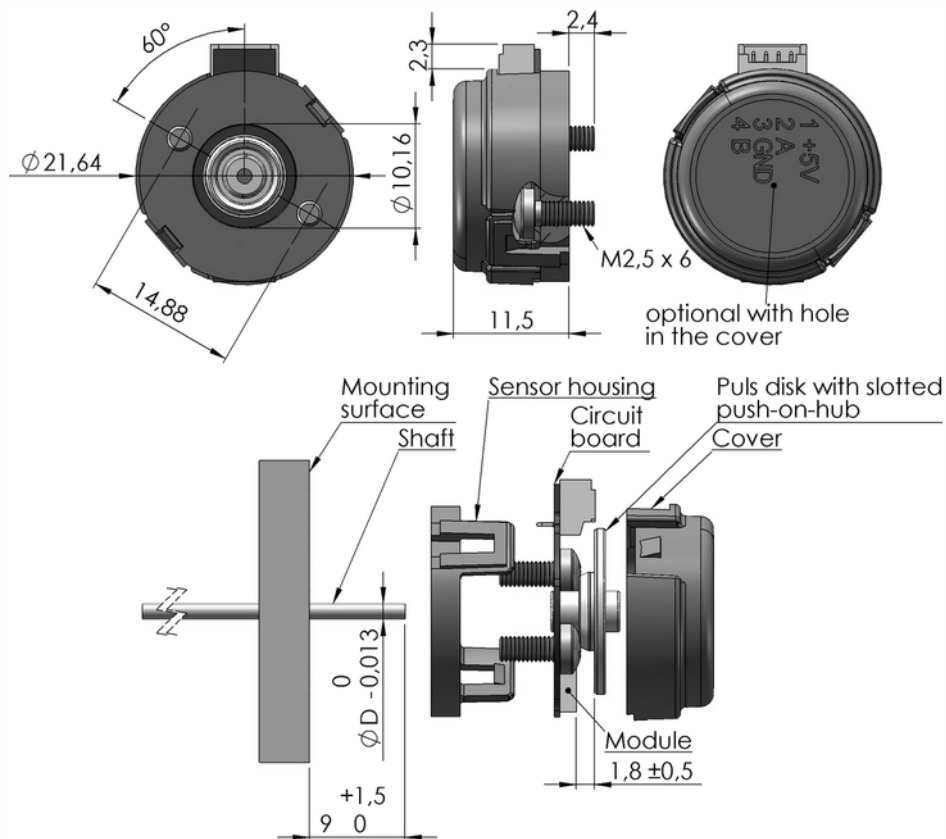
## Series SPDH - Optoelectronic Hollowshaft Encoder

- Flat installation height 11.5 mm
- With slip-on disc
- Kit mounting
- Resolution up to 360 ppr
- Revolution up to 36.000 rpm
- Option: Through hole

This economical and flat design encoder comes without any bearing. Instead it uses the bearing of the connected drive system. As a result there is no mechanical wear at all. Customer specific modifications of housing or shaft diameter are possible options. Standard types from stock.

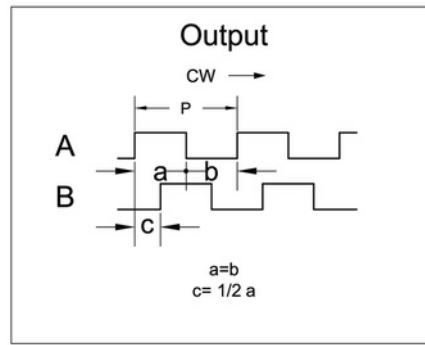
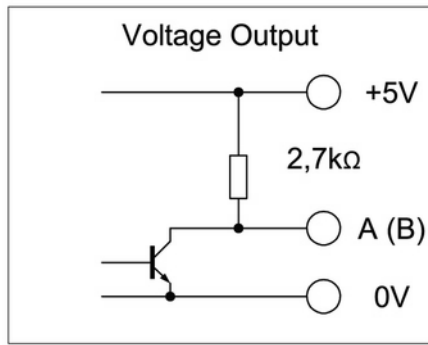


## Drawing



Connection with Molex Picoblade 4-pole (plug), like MEGATRON part 119641 with 500mm wire AWG28

# Series SPDH - Optoelectronic Hollowshaft Encoder



## Electrical Data

Pulses	100, 108, 120, 125, 128, 200, 250, 256, 300, 360 ppr
Channels	A, B
Output Voltage High Pegel	min. 2,4 V (IOH = -0,2 mA)
Output Voltage Low Pegel	max. 0,4 V (IOL = 8 mA)
Frequency Response	30 kHz
Supply Voltage	5 V $\pm$ 10% (Ripple < 100mV Vpp)
Power Consumption	< 29 mA

## Mechanical Data

Maximum Mechanical Revolution	3.600.000/Pulses [rpm]
Maximum Speed	250.000 rad/s <sup>2</sup>
Permissible Axial Clearance	$\pm$ 0,5 mm
Permissible Excentricity + Radial Clearance	$\pm$ 0,25 mm

## Other Data

Protection Class	IP40
Operating Temperature	-20 ... + 85°C
Storage Temperature	-40 ... + 100°C
Housing Material	Plastic
Disc Material	Metal
Vibration	20 g (5Hz - 2kHz)
Weight	5 g

# Series SPDH - Optoelectronic Hollowshaft Encoder

## Optionenauswahl und Bestellbezeichnung

Bezeichnung	Serie	Optionen					
Typ	SPDH						
Shaft $\varnothing$ <b>4,0mm</b> (Standard)		1,5 2 2,3 2,5 3 1/8" <b>4</b> 5 6 1/4"					
Pulses: 100... Pls. see table "Electrical Data"			<b>100</b> ... <b>360</b>				
Supply Voltage 5V				5			
Signals: 2 Channels					B		
Electronic						TTL	
Without Through Hole (Standard) Through Hole							<b>A</b> B
Exampe Order Code:	SPDH	4	300	5	B	TTL	A
Cable: Molex Picoblade 4-pole (plug), like MEGATRON part no. 119641, 500mm wire AWG28							
Preference types (bold) are available from stock.							

**Our speciality are custom solutions for reasonable prices, even for small quantities**

Examples: Customized shaft and housings, assembling of cables, connectors and more. Please contact us.

The specifications and information in this datasheet cannot consider all special demands that are caused by the application. Because of this, they are no general description of the properties of the product.  
08. December 2010. All specifications are subject to change without notice.