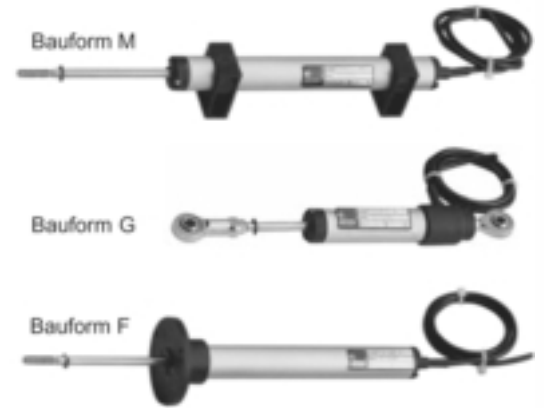


Series RC20 IP60 - Potentiometric Linear Transducer

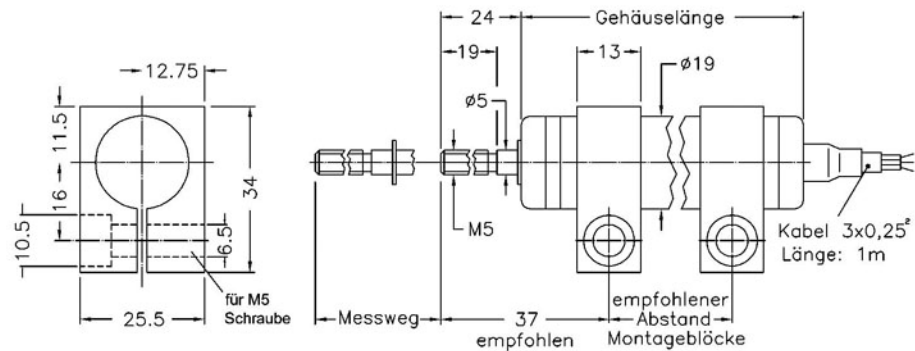
- Resolution quasi infinite
- Electrical travel from 25 mm to 300 mm
- Displacement speed up to 8m/s
- Protection class IP60/ optional IP67
- 3 mounting methods:
 - mouning brackets (M)
 - ball joints (G)
 - flange (F)



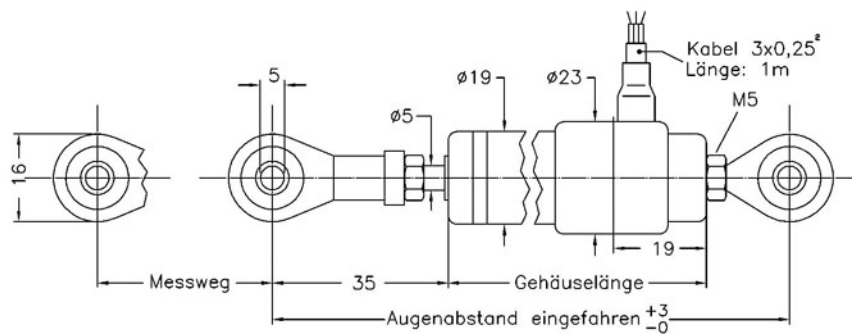
As extension of the series RC13 is the RC20 also for strokes up to 300 mm available. The robust aluminium housing and the different mounting methods enables the potentiometer for various applications. In case of rough ambient conditions we recommend the type RC20 with protection class IP67.

Drawing

Monting Brackets
Protection IP60

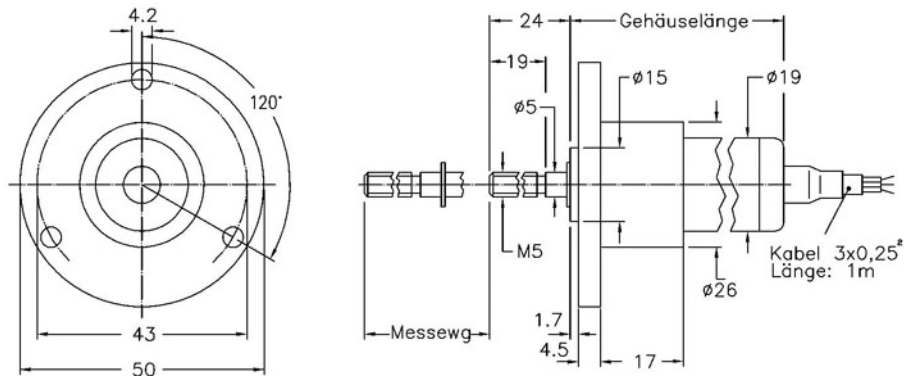


Ball Joints
Protection IP60

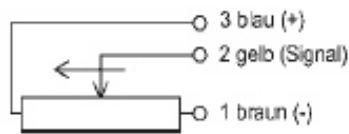


Series RC20 IP60 - Potentiometric Linear Transducer

Flange
Protection IP60



Wiring



Dimensions in mm

Series RC20	25	50	75	100	125	150	175	200	250	300
Electrical travel + 1	25	50	75	100	125	150	175	200	250	300
Mechanical travel ± 1	30	55	80	105	130	155	180	205	255	305
Housing length - M	83,5	108,5	133,5	158,5	183,5	208,5	233,5	258,5	308,5	358,5
Housing length - G	110	135	160	185	210	235	260	285	335	385
Housing length - F	83,5	108,5	133,5	158,5	183,5	208,5	233,5	258,5	308,5	358,5
Mounting blocks distance, recomm.	47	72	97	122	147	172	197	222	272	322
Hole distance, retracted	163	188	213	238	263	288	313	338	388	438

Electrical Data	25	50	75	100	125	150	175	200	250	300
Resistance Value $\pm 20\%$ [kOhm]	1	2	3	4	5	6	7	8	10	12
Linearity Tolerance, independent	$\pm 0,2\%$	$\pm 0,1\%$			$\pm 0,05\%$					
Power Rating at 40°C	0,8 W	1,6 W	2,6 W	8 W						
Max. Supply Voltage	20 V	40 V	60 V							
Resolution	0,01 mm									
Temperature coefficient	400 ppm/K									
Insulation	> 100 MOhm (bei 500V DC)									
Wiper Current, max.	> 2 mA									
Wiper Current, recomm.	1 μ A									

Series RC20 IP60 - Potentiometric Linear Transducer

Mechanical Data

Displacement Speed, max.	< 10 m/s
Operating Friction	< 0,5 N
Average Life	> 25 x 10 ⁶ m oder > 100 x 10 ⁶ movements - the smaller value is currently in force
Hysteresis, typical	0,02 %
Housing Material	anodized aluminium
Rod Material	stainless steel

Ambient Conditions

Operating Temperature	-30 ... + 100° C
Storage Temperature	-45 ... + 120° C
Protection Class	IP60

Options

- Special cable length

Accessories

- Mounting brackets (2 pcs. included in delivery)
Part No. 106656
- Ball joints M5 (2 pcs. included in delivery)
Part No. 107430
- Flange (included in delivery)
Part No. 111647

Order Code

Series	Elec. Travel	Mounting Method	Cable Length	Resistance Value	Res. Tol.	Lin. Tol.
RC20	25	M G F	1 2 3 4	1K	20%	0,2% (25 mm) 0,1% (50-100 mm) 0,05% (150-250 mm)
	50			2K		
	75			3K		
	100			4K		
	125			5K		
	150			6K		
	175			7K		
	200			8K		
	250			10K		
	300			12K		

Example: RC20 25 M 1 R1K W20% L0,2%

The specifications and information in this datasheet cannot consider all special demands that are caused by the application. Because of this, they are no general description of the properties of the product.
01. September 2010. All specifications are subject to change without notice.