

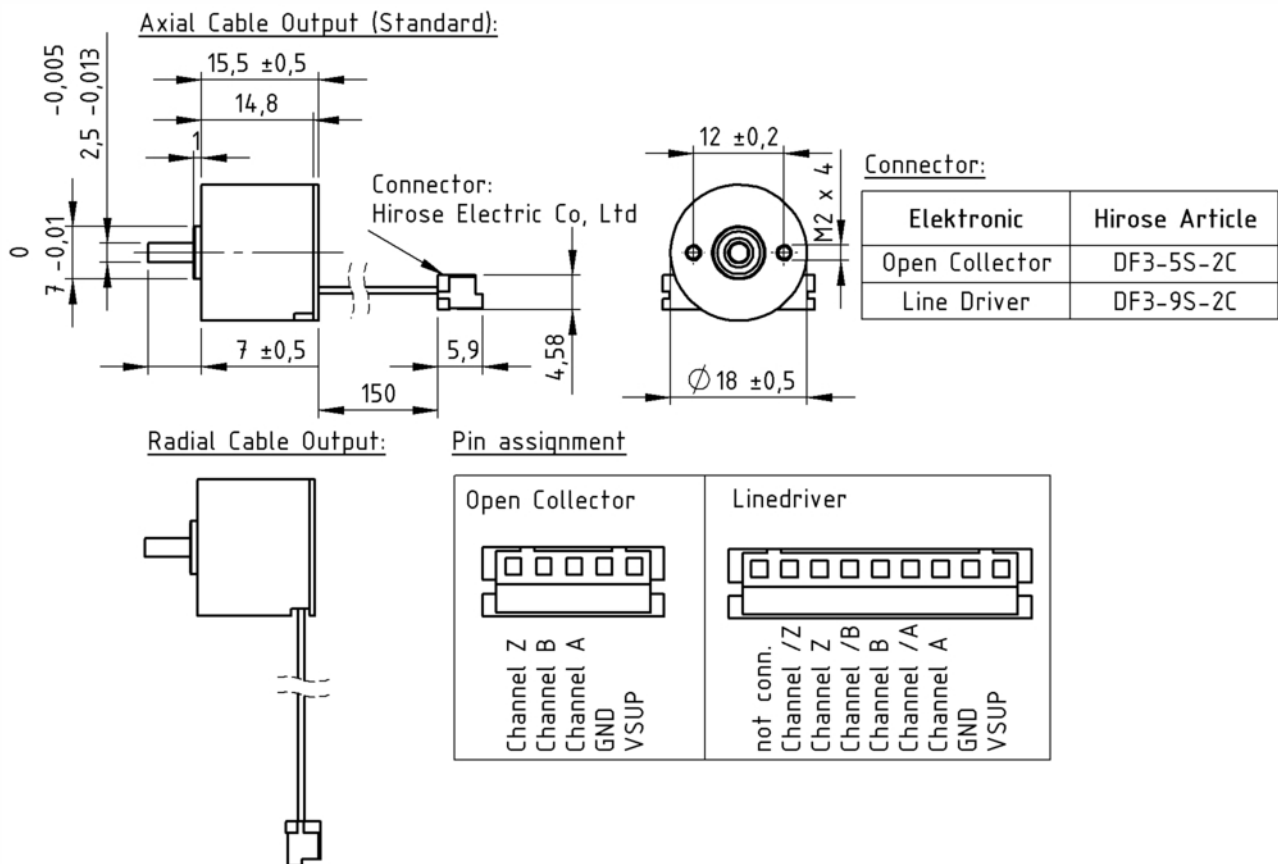
## Series MOM18 / Optoelectronic Encoder

- Housing  $\varnothing$  18 mm
- Up to 1600 ppr
- 2 channels and index
- Open Collector or Line Driver Output
- Operating voltage 5 V (5-12 V Open Collector)
- Preference types from stock

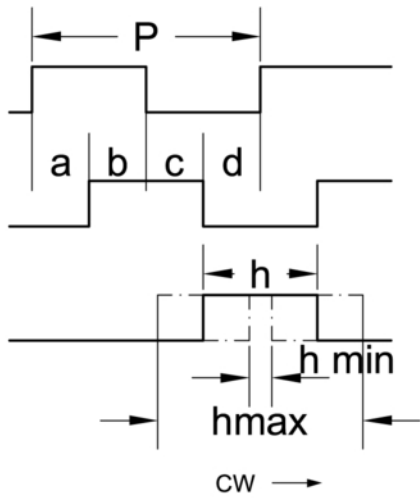
The MOM18 is featured by its high resolution of up to 500 pulses/turn and its compact housing. The converted connector enables a low-cost and flexible mounting.



### Drawing



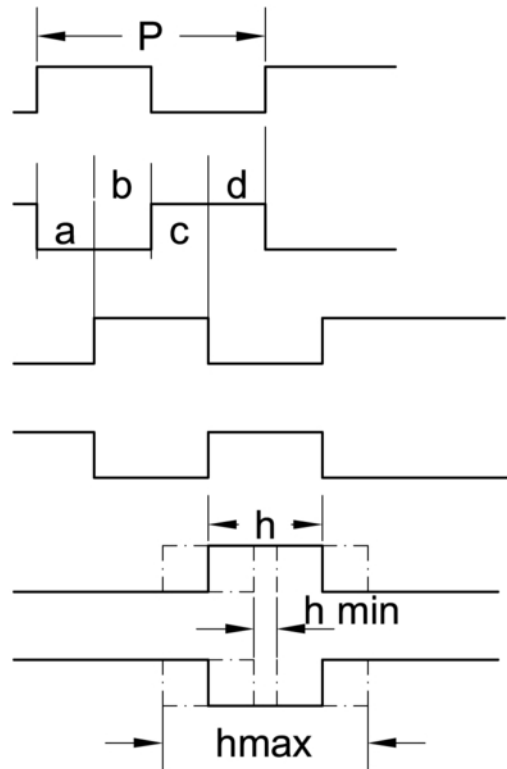
Output Flanks Open Collector



$$a, b, c, d = \frac{P}{4} \pm \frac{P}{8}$$

$$\frac{P}{10} \leq h \leq \frac{9}{10}P$$

Output Flanks Line Driver



Electrical Data

Electronic	Open Collector	Linedriver
Resolution	100 - 1600 ppr	
Channels	A, B, Z	
Frequency response	200 kHz	
Supply voltage	4,5 - 13,2 VDC	4,5-5,5 VDC
Power consumption (no load)	< 30 mA	
Output voltage low	0,5 V	
Output voltage high	--	2,5 V
Max. output current	20 mA	

Mechanical Data

Maximum speed	6000 rpm
Maximum acceleration	1 * 10 <sup>4</sup> rad/s <sup>2</sup>
Moment of inertia	1 * 10 <sup>-8</sup> kgm <sup>2</sup>
Starting torque	0,49

# Series MOM18 / Optoelectronic Encoder

## Other Data

Protection class	IP50
Operating temperature	-10 .. +70° C
Storage temperature	-30 .. +80° C
Maximum shock	30g 11ms
Vibration	10..55 Hz / 1,5mm 2 h x, y, z
Humidity	< 90% RH no dewing
Bearing	ball bearing
Housing material	aluminium
Shaft material	stainless steel
Disc material	metal
Weight	20 g

## Options and Order Descriptions

Description	Series	Options				
Type	MOM18					
Pulses/rev. 100, 160, 200, 300, 360, 400, 500, 800, 1000, 1024, 1600		100 ... 500				
Supply voltage: 4,5 -13,2V (for Open Collector) 5 V (vor Line Driver)			5 13 5			
Channels A, B, + index				BZ		
Electronics: Open Collector Line Driver					K N	
Axial cable output Radial cable output						- CVR
Example Order code:	MOM18	360	5	BZ	K	

## Our speciality are custom solutions for reasonable prices, even for small quantities

Examples: Mounting of gear wheels and other mechanical parts, assembling of cables, connectors and more.  
Please ask us.

The specifications and information in this datasheet cannot consider all special demands that are caused by the application. Because of this, they are no general description of the properties of the product. All specifications have been determined at room temperature +20°C.

16. August 2011. All specifications are subject to change without notice.