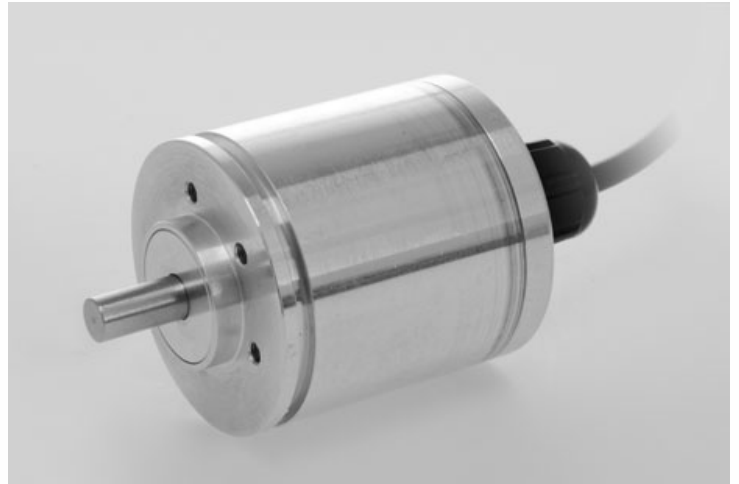


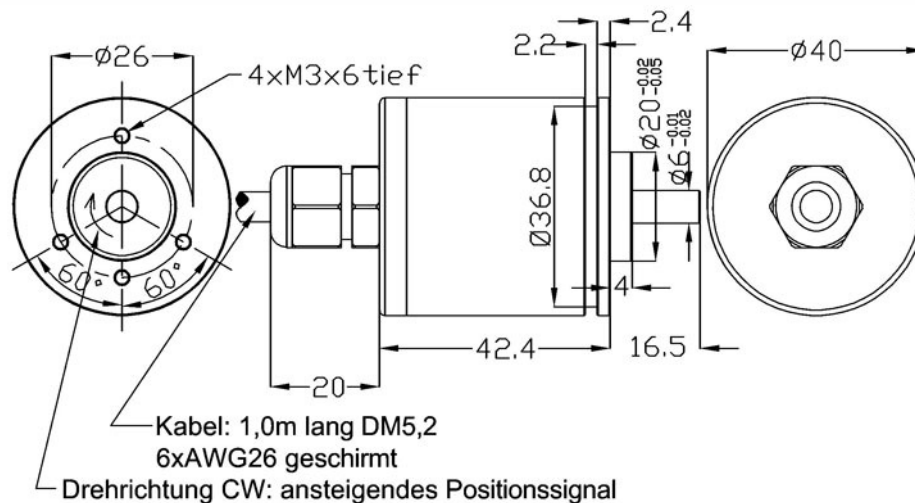
Series MAB40APM - Hall Effect Absolute Encoder

- Configurable angular range and rotational direction; up to 200 x 360°
- 12 Bit resolution
- Analog output: 0-5V, 0-10V, 4-20mA
- Operating voltage: 24V
- 40 mm body diameter with servo flange
- Protection class IP67

The starting and end angle as well as rotary sense can be programmed in your application by programm lines. The counter reading of up to 200 turns is filed in a nonvolatile memory chip.



Drawing



Wiring:	Signal	Colour	Plug (PIN)	Mating plug with cable (DIN EN 60947-5-2)
	GND	black	1	white / WH
	VCC	red	2	brown / BN
	OUT	brown	3	green / GN
	DIR	orange	4	yellow / YE
	StartPos	yellow	5	grey / GY
	EndPos	green	6	pink / PK
			7	blue / BU
			8	red / RD

Series MAB40APM - Hall Effect Absolute Encoder

Electrical Data	Voltage Output	Current Output
Electrical angle	0°-20°...0°-72000° (200 turns) custom programmable For detecting the absolute position the sensor shouldn't be turned more than 179°, when it is without supply voltage	
Independent linearity tolerance (360°)	± 0,3%	
Resolution	20°/9 Bit....360°/12 Bit..... (200 x 360°)/12 Bit	
Update rate	3,7 ms	
Output signal	0-10V	4-20 mA
Supply voltage	15-30 VDC	8-30 VDC
Supply current (no load)	< 20 mA	
Output resistance	> 5K Ohm	< 500 Ohm

Mechanical Data	
Maximum rotational speed	6000 rpm
Operational torque	1 Ncm typical

Other Data	
Protection class: shaft and housing	IP67
Operating temperature	-25 .. +85° C
Storage temperature	-40 .. +85° C
Bearing	2 precision ball bearings
Housing material	chromed aluminium
Shaft Material	stainless steel
Mounting parts	3 clamps SFN1 (M3x0,5) Please order separately: Part-No. 106399
Weight	≈ 50 g

Series MAB40APM - Hall Effect Absolute Encoder

Order Description

Series	Resolution	Operating Voltage	Output Signal	Order Code
MAB40APM	12 Bit	24V	0 - 10V	MAB40APM 12 2410
			4 - 20mA	MAB40APM 12 2442
		9 - 30V	0 - 5V	MAB40APM 12 2405

Please ask for more options and fittings.

Our speciality are custom solutions, for reasonable prices even for small series

On serial demand we offer:

Special angles and shafts, mounting of gear wheels and other mechanical parts, assembling of cables and connectors and more. Please contact us.

All the specifications and information in this datasheet can not consider the special demands that are caused by the application. Because of this, they are no general description of the properties of the product.

21. August 2012. All specifications are subject to change without notice.