

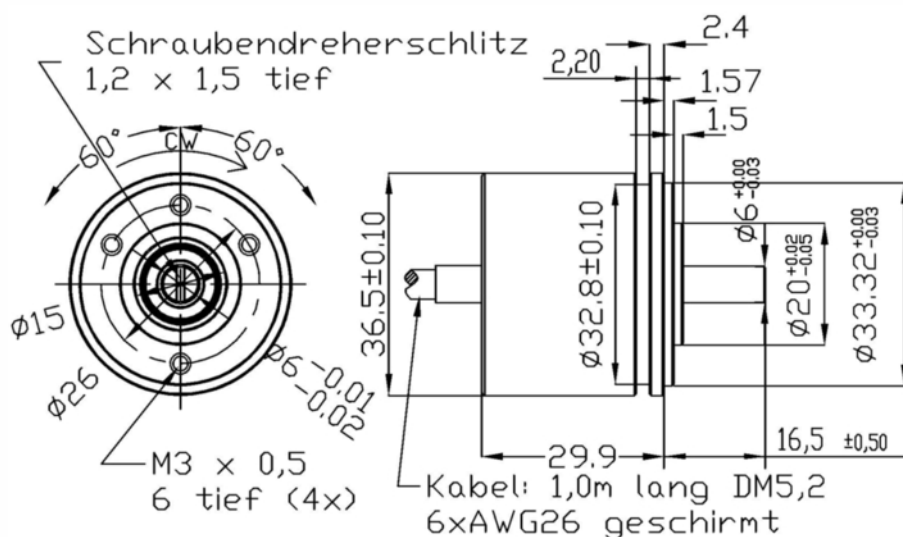
Serie MAB36APM - Hall Effect Absolute Encoder

- Configurable angular range and rotational direction, up to 200 x 360°
- 12 Bit resolution
- Analog output: 0-5V, 0-10V, 4-20mA
- Operating voltage: 24V
- 36 mm body diameter with servo flange
- Precision ball bearings

The starting and end angle as well as rotary sense can be programmed in your application by program lines. The counter reading of up to 200 turns is filed in a nonvolatile memory chip.



Drawing



Wiring:	Signal	Color	Plug (Pin)	Mating plug with cable
	GND	black	1	white / WH
	VCC	red	2	brown / BN
	OUT	brown	3	green / GN
	DIR	orange	4	yellow / YE
	Start Pos	yellow	5	grey / GY
	End Pos	green	6	pink / PK
			7	blue / BU
			8	red / RD

Serie MAB36APM - Hall Effect Absolute Encoder

Electrical Data	Voltage Output	Current Output
Electrical angle	0°-20°...0°-72000° (200 turns) custom programmable For detecting the absolute position the sensor shouldn't be turned more than 179°, when it is without supply voltage	
Independent linearity tolerance (at 360°)	± 0,3%	
Resolution	20°/9 Bit....360°/12 Bit..... (200 x 360°)/12 Bit	
Update rate	2,0 ms	
Output signal	0-5V / 0-10 V	4-20 mA
Supply voltage	9-30 VDC / 15-30 VDC	8-30 VDC
Power supply (no load)	< 20 mA	
Signal load	> 5K Ohm	< 500 Ohm

Mechanical Data	
Maximum mechanical angle	6000 rpm

Other Data	
Protection Class (shaft / housing)	IP65
Operating Temperature	-25 .. +85° C
Storage Temperature	-40 .. +85° C
Bearing	2 precision ball bearings
Housing Material	chromed Aluminium
Shaft Material	stainless steel
Mounting Parts	3 clamps SNF1 (M3 x 0,5) Please order separately, part no. 106399
Weight	≈approx. 50 g

Serie MAB36APM - Hall Effect Absolute Encoder

Order Description

Series	Resolution	Operating Voltage	Output Signal	Ordercode
MAB36APM	12 Bit	24V	0 - 10V	MAB36APM 12 2410
			4 - 20mA	MAB36APM 12 2442
		9-30V	0-5V	MAB36APM 12 2405

Further options on request.

Our speciality are custom solutions

On serial demand we offer: Special angles, special shafts, mounting of gear wheels and other mechanical parts, cable and connector assemblies. Please contact us.

The specifications and information in this datasheet cannot consider all special demands that are caused by the application. Because of this, they are no general description of the properties of the product.

21. August 2012. All specifications are subject to change without notice.