

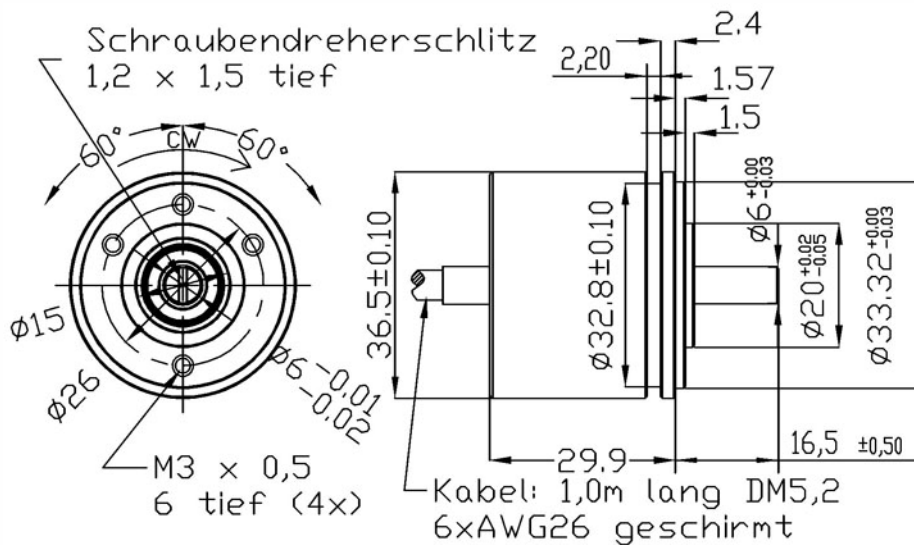
Series MAB36 SER / Hall Effect Absolute Encoder

- Synchronous serial interface (SER)
- Angle range 360°
- Resolutin 10 Bit or 12 Bit
- Supply voltage 5V
- 26 mm housing diameter
- Servo flange
- 2 precision ball bearings

The MAB36 is a multifunctional and robust encoder. The precision ball bearings as well as the magnetic measuring principle are warrants for a high life expectancy.



Drawing



Adernbelegung					
rt	bn	og	ge	gn	sw
VSUP	DO	PRDG*	CLK	CS	GND
*) PRDG bitte NICHT anschließen !					

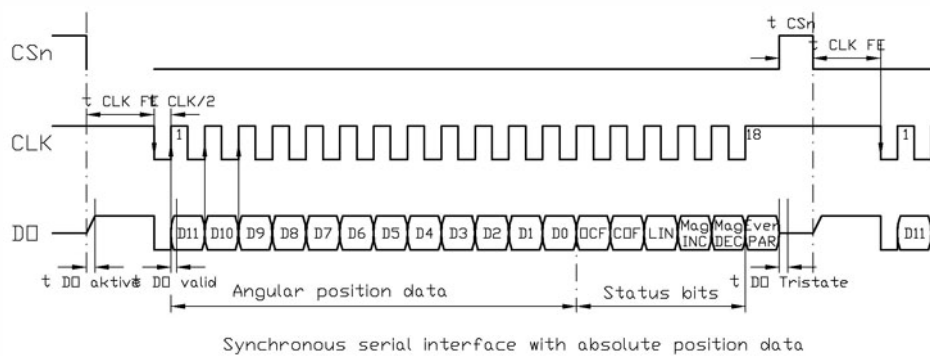
Series MAB36 SER / Hall Effect Absolute Encoder

Electrical Data	
Electrical angle	360°
Independent linearity tolerance	±0,2 %
Resolution	1024 (10 Bit) / 4096 (12 Bit)
Update rate Positionswert	0,1 ms
Versorgungsspannung	5 ± 10% VDC
Versorgungsstrom (ohne Last)	< 20 mA

Mechanical Data	
Maximum rotational speed	6.000 rpm

Other Data	
Protection class (shaft/housing)	IP65
Operating temperature	-25 ... + 85°C
Storage temperature	-40 ... + 85°C
Bearing	2 precision ball bearings
Housing material	chromed Aluminium
Shaft material	stainless steel
Weigth	approx. 40 g
Mounting parts, please order separately : Part No. 106 399	3 St. clamps SFN1 (M3 x 0,5)

Timing Diagramm SER-Bus



Falling edge of CS triggers a measurement value

Signal-timing:

$t_{CSn} > 500\text{ns}$

$t_{CLKFE} > 500\text{ns}$

$CLK < 1\text{MHz}$

Remark: Diagramm is for 12 Bit version. Signal timing apply to 10 Bit and 12 Bit version.

Series MAB36 SER / Hall Effect Absolute Encoder

Order Description

Series	Resolution Speed	Operating Voltage	Interface	Order Code
MAB36	10 Bit High Speed	5V	SER	MAB36 10HS 5 SER
	12 Bit High Speed			MAB36 12HS 5 SER

Please ask for more options.

Our speciality are customs solutions, economically priced on small series.

On serial demand we offer:

Special shaft dimensions, mounting of gear wheels and other mechanical parts, assembling of cables and connectors and more. Please contact us.

Please note

All the specifications and information in this data sheet can not consider the special demands that are caused by the application. Because of this, they are no general description of the properties of the product. Please consider also our detail specifications. The lifetime specification was testet under laboratory conditions.

Please find the exact specifications of the output signals in the datasheets of application notes (AS5040 and AS5045) of Austria Microsystems: www.austriamicrosystems.com

10. November 2008. All specifications are subject to change without notice.