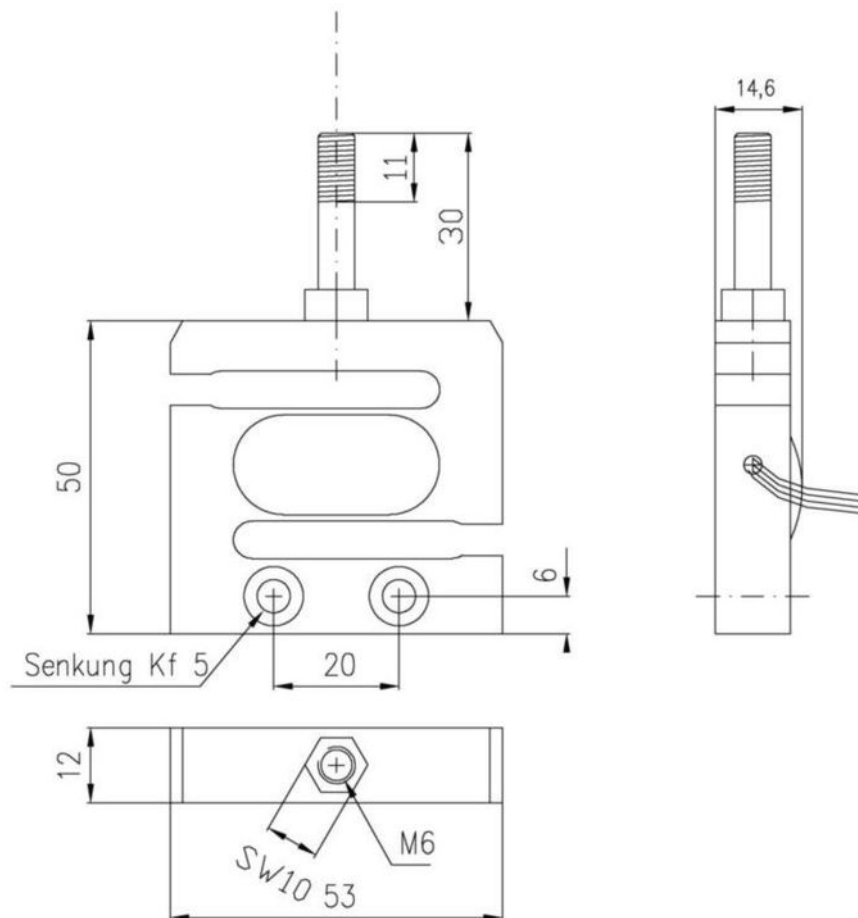


## Series KM500

- Capacity 0...500N
- Calibration either in tension or compression
- Loadcell in Aluminium
- Small design
- Well-priced sensor for OEM applications



## Dimensional Drawing



# Series KM500

## Technical Data

Capacity (0 to ...)	500 N
Operating Overload	150 % F.S.
Safe Overload	200 % F.S.
Ultimate Overload	> 300 % F.S.
Rated Output	2 mV/V
Rated Output Tolerance	10 % F.S.
Zero Balance	5 % F.S.
Non-Linearity	0,05 % F.S.
Hysteresis	0,08 % F.S.
Creep (30 min.)	0,1 % F.S.
Total Error *	0,15 % F.S.
Non-Repeatability	0,05 % F.S.
Temp.Effect on Zero	0,2 % F.S./10K
Temp.Effect on Output	0,2 % F.S./10K
Dynamic Load Capacity	50 % F.S.
Fullscale Deflection	0,2 mm
Limiting Lateral Load	20 % F.S.
Legend:	* ) Hysteresis included All above values in %F.S. < = ± values Calibration protocol ist not included

## Mechanical Data

Measuring Method	Foil Strain Gage Full Bridge
Material Loadcell	Aluminium Alloy

## Ambient Conditions

Compensated Temperature	-10 ... +40° C
Operating Temperature	-10 ... +60° C
Storage Temperature	-25 ... +60° C
Protection Class	IP 00

## Electrical Data

Input Impedance	350 ± 50 Ω
Output Impedance	350 ± 50 Ω
Insulation	> 1000 MΩ
Recommended Excitation	10 VDC typ. / 15 VDC max.
Cable Size	4-wire, ribbon, 10 cm

## Series KM500

### Electrical Connection

Wiring	
red	Excitation +
black	Excitation -
white	Signal +
green	Signal -

### Ordering Code

Series	Connection	Capacity	Signal Version
KM500	K	500N	0000
Force transducer series KM500, 10 cm cable, capacity 500N, without amplifier			

Accessories
<b>External Amplifiers</b> <ul style="list-style-type: none"><li>• EMA3-MS / EMA3-2DMS</li><li>• IPG-DMS / IPG-2DMS</li><li>• SI-DMS</li><li>• IMA2-DMS</li></ul>
<b>Displays</b> <ul style="list-style-type: none"><li>• DH28-DMS</li><li>• Modig</li></ul>

The specifications and information in this datasheet cannot consider all special demands that are caused by the application. Because of this, they are no general description of the properties of the product.  
27. October 2010. All specifications are subject to change without notice.