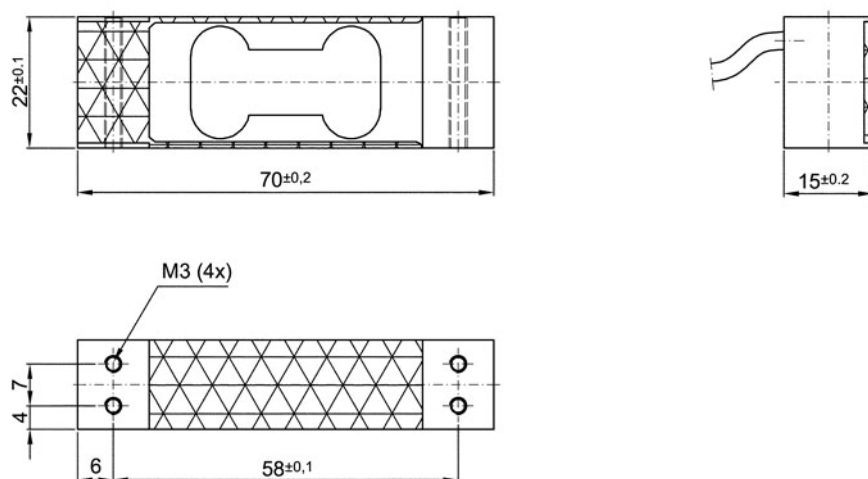


## Series KM202

- Capacity from 0...3 N to 0...100 N
- Calibration either in tension or compression
- Calibration protocol included
- Loadcell Aluminium
- Protection Class IP65
- Small off center load error (typ. 0,008% / 10mm)



## Dimensional Drawing



# Series KM202

## Technical Data

Capacity(0 to ...)	3; 5; 10 N	30; 50; 100 N
Operating Overload	120 % F.S.	
Safe Overload	150 % F.S.	
Ultimate Overload	> 200 % F.S.	
Rated Output	1	2
Rated Output Tolerance	10 % F.S.	
Zero Balance	2 % F.S.	
Non-Linearity	0,04 % F.S.	
Hysteresis	0,04 % F.S.	
Creep (30 min.)	0,06 % F.S.	
Total Error *	0,15 % F.S.	
Non-Repeatability	0,04 % F.S.	
Temp.Effect on Zero	0,025 % F.S./10K	
Temp.Effect on Output	0,025 % F.S./10K	
Legend:	* ) Hysteresis included All above values in %F.S. < = ± values Calibration protocol included	

## Mechanical Data

Measuring Method	Foil Strain Gage Full Bridge
Material Loadcell	Aluminium Alloy

## Ambient Conditions

Compensated Temperature	-10 ... +40° C
Operating Temperature	-20 ... +60° C
Protection Class	IP65

# Series KM202

## Electrical Data

Input Impedance	410 ± 15 Ω
Output Impedance	350 ± 3 Ω
Insulation	> 2000 MΩ
Recommended Excitation	10 VDC typ., 15 VDC max.
Cable Size	Length 2 m

## Signal Versions

	Supply	Signal
0000 without amplifier	10 V	10 mV / 20 mV

## Electrical Connection

Wiring	0000
black	Excitation -
red	Excitation +
green	Signal +
white	Signal -
shield	on housing

## Ordering Code

Ordering Code				Accessories
Series	Anschluss	Capacity	Signal Version	<b>External Amplifiers</b>
KM202	K	100 N	0000	<ul style="list-style-type: none"> <li>• EMA3-DMS / EMA3-2DMS</li> <li>• IPG-DMS /IPG-2DMS</li> <li>• SI-DMS</li> <li>• IMA2-DMS</li> </ul>
Series KM202 without amplifier, capacity 100N, cable 2m				<b>Displays</b>
				<ul style="list-style-type: none"> <li>• DH28-DMS</li> <li>• Modig</li> </ul>

The specifications and information in this datasheet cannot consider all special demands that are caused by the application. Because of this, they are no general description of the properties of the product.  
2011 August 17. All specifications are subject to change without notice.