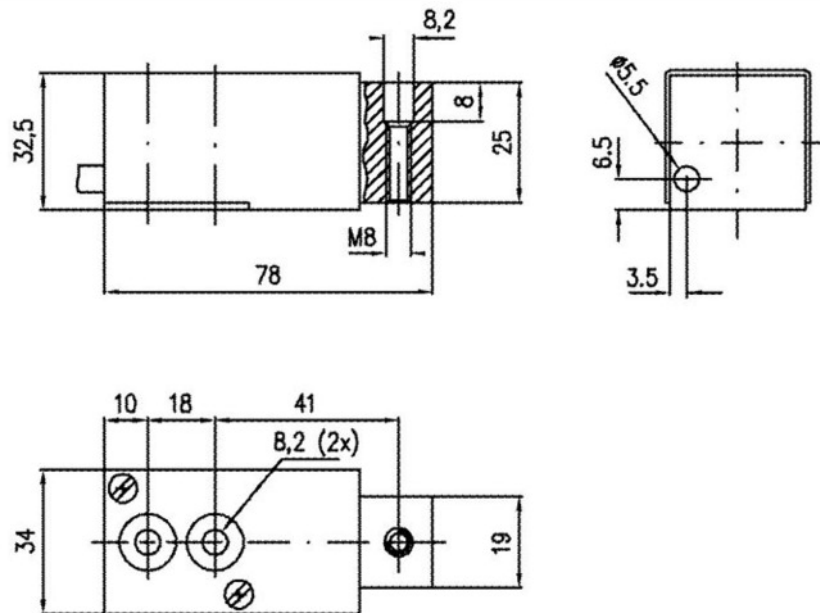


Series KM801 / KT801

- Capacity from 0...2kN to 0...5kN
- Calibration either in tension or compression
- Optionally loadcell only (KM801) or with integrated amplifier (KT801)
- Calibration either in N or kg, calibration protocol included
- Loadcell nickel-plated steel
- Tiny dimensions
- Protection class IP40



Dimensional Drawing



Series KM801 / KT801

Technical Data	KM 801	KT 801
Capacity (0 to ...)	2; 5 kN	
Operating Overload	130% F.S.	
Safe Overload	200% F.S.	
Ultimate Overload	> 300% F.S.	
Rated Output	2 mV/V	-
Rated Output Tolerance	10% F.S.	-
Zero Balance	10% F.S.	0.2% F.S.
Non-Linearity	0.15% F.S.	
Hysteresis	0.15% F.S.	
Creep (30 min.)	0.1% F.S.	
Total Error *	0.25% F.S.	
Non-Repeatability	0.06% F.S.	
Temp.Effect on Zero	0.1% F.S./10K	0.2% F.S./10K
Temp.Effect on Output	0.15% F.S./10K	0.25% F.S./10K
Dynamic Load Capacity	70% F.S.	
Resonance Frequency	> 900 Hz	
Fullscale Deflection	0.2 ... 0.3 mm	
Limiting Lateral Load	20% F.S.	
Legend:	*) Hysteresis included	
	All above values in %F.S. < = ± values	
	Calibration protocol included	

Mechanical Data	
Measuring Method	Foil Strain Gage Full Bridge
Material Loadcell	nickel-plated steel

Ambient Conditions	KM 801	KT 801
Compensated Temperature	-10 ... +65° C	0 ... +65° C
Operating Temperature	- 25 ... +70° C	0 ... +70° C
Storage Temperature	-40 ... +80° C	-30 ... +80° C
Protection Class	IP 40	

Electrical Data	KM 801	KT 801
Input Impedance	400 ± 50 Ω	-
Output Impedance	350 ± 10 Ω	-
Insulation	> 2000 MΩ	
Recommended Excitation	10 VDC typ. / 12 VDC max.	24 VDC
Cable Size	4-wire shielded, 2m	

Series KM801 / KT801

Signal Versions

	Supply	Signal
0000 without amplifier	10V	20mV \pm 20%
2410 built in amplifier	24V \pm 20%	0 ... 10 V
2442 built in amplifier	24V \pm 20%	4 ... 20mA

Electrical Connection

Wiring	0000	2410/2442
yellow	Excitation -	Excitation -
brown	Excitation +	24 V
green	Signal +	Signal +
white	Signal -	Signal -
Shield	on housing	on housing

Order Code

Series	Connection	Capacity	Signal Version	Force Direction	Accessories
KT801	K	2kN	2410	D	External Amplifiers <ul style="list-style-type: none"> • EMA3-DMS / EMA3-2DMS • IPG-DMS / IPG-2DMS • SI-DMS • IMA2-DMS
Force transducer series K801 with built in amplifier, supply 24V, output 0-10V, 2m cable, capacity 2kN, compression					
Series	Connection	Capacity	Signal Version	Force Direction	Displays <ul style="list-style-type: none"> • DH28-DMS • Modig
KM801	K	5kN	0000	Z	
Force transducer series K801 without amplifier, 2m cable, capacity 5kN, tension					

The specifications and information in this datasheet cannot consider all special demands that are caused by the application. Because of this, they are no general description of the properties of the product.
 11. May 2010. All specifications are subject to change without notice.