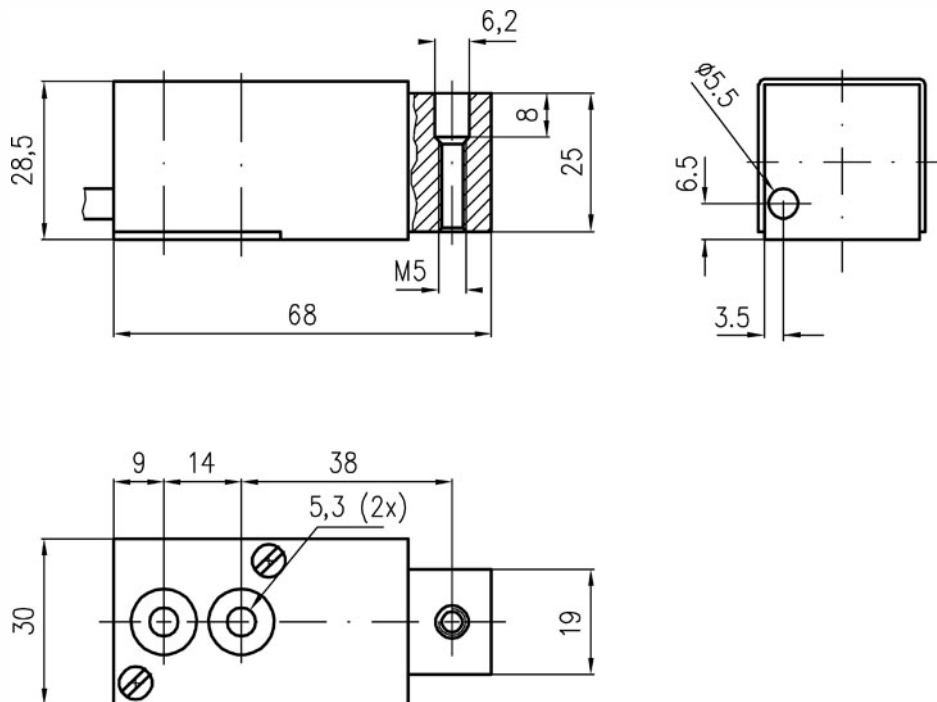


Series KM701 / KT701

- Capacity from 0...200N to 0...1000N
- Calibration either in tension or compression
- Available as loadcell only (KM701) or with integrated amplifier (KT701)
- Calibration either in N or kg, calibration protocol included
- Loadcell in Aluminium
- Small design
- Protection class IP40



Dimensional Drawing



Series KM701 / KT701

| Technical Data | KM701 | KT701 |
|------------------------|--|---------------|
| Capacity (0 to ...) | 0,2; 0,5; 1 kN | |
| Operating Overload | 130% F.S. | |
| Safe Overload | 200% F.S. | |
| Ultimate Overload | > 300% F.S. | |
| Rated Output | 2 | - |
| Rated Output Tolerance | 10% F.S. | - |
| Zero Balance | 10% F.S. | 0,2% F.S. |
| Non-Linearity | 0,2% F.S. | |
| Hysteresis | 0,15% F.S. | |
| Creep (30 min) | 0,12% F.S. | |
| Total Error * | 0,25% F.S. | |
| Non-Repeatability | 0,06% F.S. | |
| Temp.Effect on Zero | 0,1% F.S./10K | 0,2% F.S./10K |
| Temp.Effect on Output | 0,15% F.S./10K | 0,2% F.S./10K |
| Dynamic Load Capacity | 70% F.S. | |
| Resonance Frequency | > 900 Hz | |
| Fullscale Deflection | 0,1 mm | |
| Limiting Lateral Load | 20% F.S. | |
| Legende: | *) Hysteresis included | |
| | All above values in %F.S. < = ± values | |
| | Calibration protocol included | |

| Mechanical Data | |
|-------------------|------------------------------|
| Measuring Method | Foil Strain Gage Full Bridge |
| Loadcell Material | Aluminium Alloy |

| Ambient Conditions | KM701 | KT701 |
|-------------------------|----------------|----------------|
| Compensated Temperature | -10 ... +55° C | 0 ... 55° C |
| Operating Temperature | -25 ... +70° C | 0 ... +70° C |
| Storage Temperature | -40 ... +80° C | -30 ... +80° C |
| Protection Class | IP 40 | |

| Electrical Data | KM701 | KT701 |
|------------------------|----------------------|-------|
| Input Impedance | 400 ± 50 Ω | - |
| Output Impedance | 350 ± 10 Ω | - |
| Insulation | > 2000 MΩ | |
| Recommended Excitation | 10 typ., 12 max. | 24 |
| Cable Size | 4-wire, shielded, 2m | |

Series KM701 / KT701

Signal Versions

| | Supply | Signal |
|-------------------------|---------------|----------------|
| 0000 without amplifier | 10V | 20mV \pm 20% |
| 2410 built in amplifier | 24V \pm 20% | 0 ... 10V |
| 2442 built in amplifier | 24V \pm 20% | 4 ... 20mA |

Electrical Connection

| Wiring | 0000 | 2410 / 2442 |
|--------|--------------|--------------|
| yellow | Excitation - | Excitation - |
| brown | Excitation + | 24V |
| green | Signal + | Signal + |
| white | Signal - | Signal - |
| Shield | on housing | on housing |

Order Code

| Series | Connection | Capacity | Signal Version | Force Direction | Accessories |
|---|------------|----------|----------------|-----------------|---|
| KT701 | K | 1kN | 2410 | D | External Amplifiers <ul style="list-style-type: none"> • EMA3-DMS / EMA3-2DMS • IPG-DMS / IPG-2DMS • SI-DMS • IMA2-DMS |
| Force transducer series K701 with integrated amplifier, supply 24V, output 0-10V, cable 2m, capacity 1kN, compression | | | | | |
| Series | Connection | Capacity | Signal Version | Force Direction | Displays |
| KM701 | K | 200N | 0000 | Z | <ul style="list-style-type: none"> • DH28-DMS • Modig |
| Force transducer series K701 without amplifier, cable 2m, capacity 200N, tension | | | | | |

The specifications and information in this datasheet cannot consider all special demands that are caused by the application. Because of this, they are no general description of the properties of the product.
11. May 2010. All specifications are subject to change without notice.