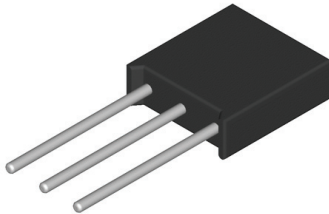


Resistors

Precision Voltage Divider

SMX / SHX - series



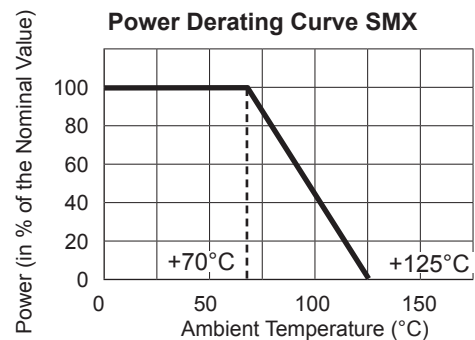
- Divider for an Universal Field of Applications
- Resistance Values from 100Ω to 10MΩ
- Standard TCR from ±5 ppm/K
- Rugged Epoxy Housing
- Low - Inductance
- Customized Solutions
- Short Delivery Times

Spezifikation

Resistance Range*	100Ω - ≤100k (SMX), 100k -1MΩ (SHX)		
Resistance Ratio*	1:200		
Power	0,1Watt* to 0,5Watts for each Element		
Resistance Tolerance	Absolute*	Matching*	
	100Ω - ≤100k	±0,1%, ±0,2%, ±0,5%, ±1%	±0,02%, ±0,05%
Temperature Coefficient	Absolut	Tracking	
	±5ppm/K	±2ppm/K*	
	±10ppm/K		
	±25ppm/K		
Operating Temperature Range	-10°C to 75°C*		
Operating Voltage (max.)*	100VAC		
Insulation Resistance	>10 GOhm		
Current Noise*	25dB		
*Standard Type SMX, 100Ω - 100k, Values >100k are different			

Mechanische Daten

Housing	Epoxy
Resistance Element	NiCr
Carrier	Steatit
Leads	Copper, Tin Plated

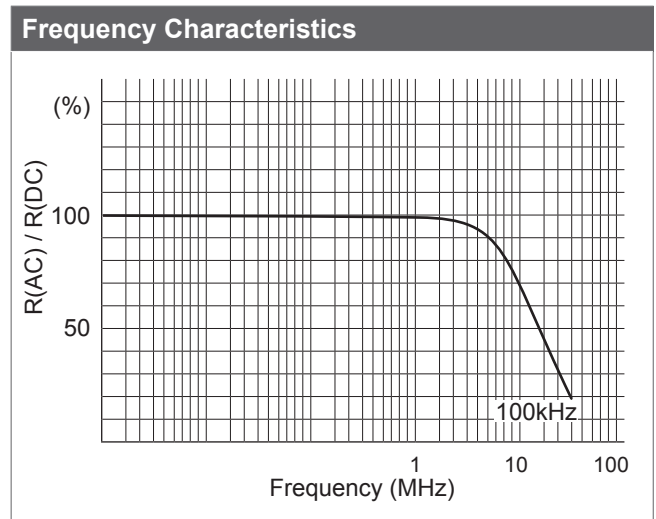
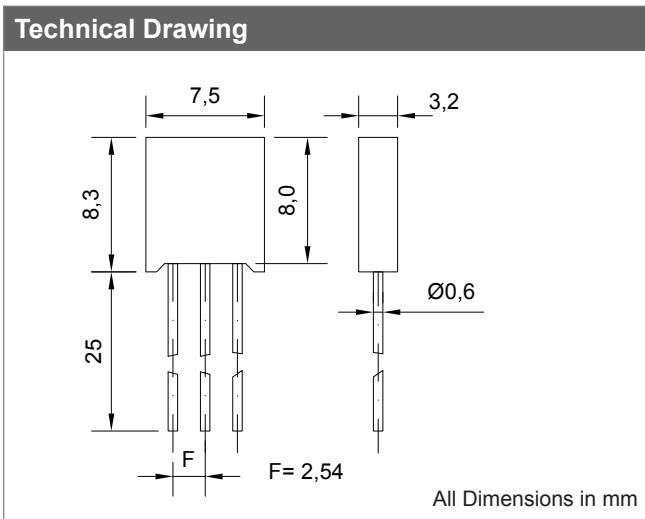


Resistors

Precision Voltage Divider

SMX / SHX - series

Parameter	Test	ΔR
Load Life	90 min ON, 30 min OFF, 1000h at 70°C	$\pm 0,1\%$
Overload	2,5 x Related Voltage, 5 Seconds	$\pm 0,05\%$
Humidity	90 - 98% RH, Related Voltage, 240h, at 70°C to -10°C	$\pm 0,1\%$
Soldering Heat Resistance	350°C $\pm 5^\circ\text{C}$, 3 Seconds	$\pm 0,05\%$
Solderability	245°C $\pm 5^\circ\text{C}$ 10 Seconds	50% Covered
Storage Life	15°C to 35°C, 15 - 75% RH, Load Free, 10000h	$\pm 0,02\%$



Options

SHX	Special Resistance Ratios (1:1000, 1:10000...), Resistance Values up to 1GOhm
-----	---

Ordering Information

SMX	WA0,1%	WM0,1%	TK5	10k/10k
Type*	Tolerance* (absolute)	Tolerance* (matching)	Temperature Coefficient* (absolut)	Resistance Value*
SMX SHX**	$\pm 0,1\%$, $\pm 0,2\%$, $\pm 0,5\%$, $\pm 1\%$	$\pm 0,02\%$, $\pm 0,05\%$	$\pm 5\text{ppm}$ $\pm 25\text{ppm}$ $\pm 25\text{ppm}$	(100 Ω - 100k Ω) The total resistance must not exceed 100k Ω !

*Standard Type SMX, 100 Ω - 100k, Values >100k are different
 **SHX, Values must be confirmed after feasibility check.

Note: All specifications and information in this data sheet are not considering customer's special requirements. All containing information of this data sheet are not a binding description of the product's properties. MEGATRON is not responsible for any damage caused by an improper use of the product. The customer has the responsibility to check the usability of the product in his application. MEGATRON does not guarantee the reproducibility of their publications.