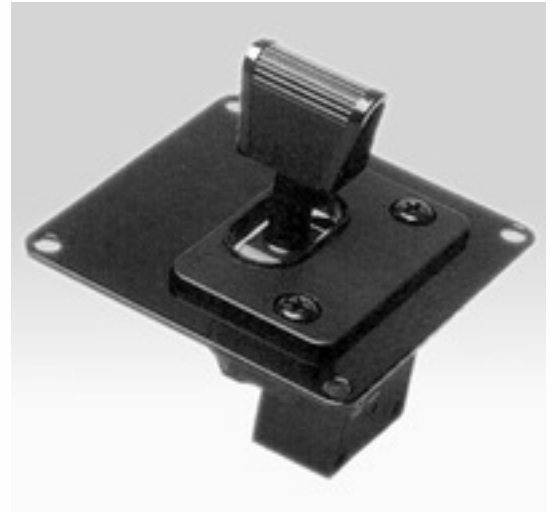
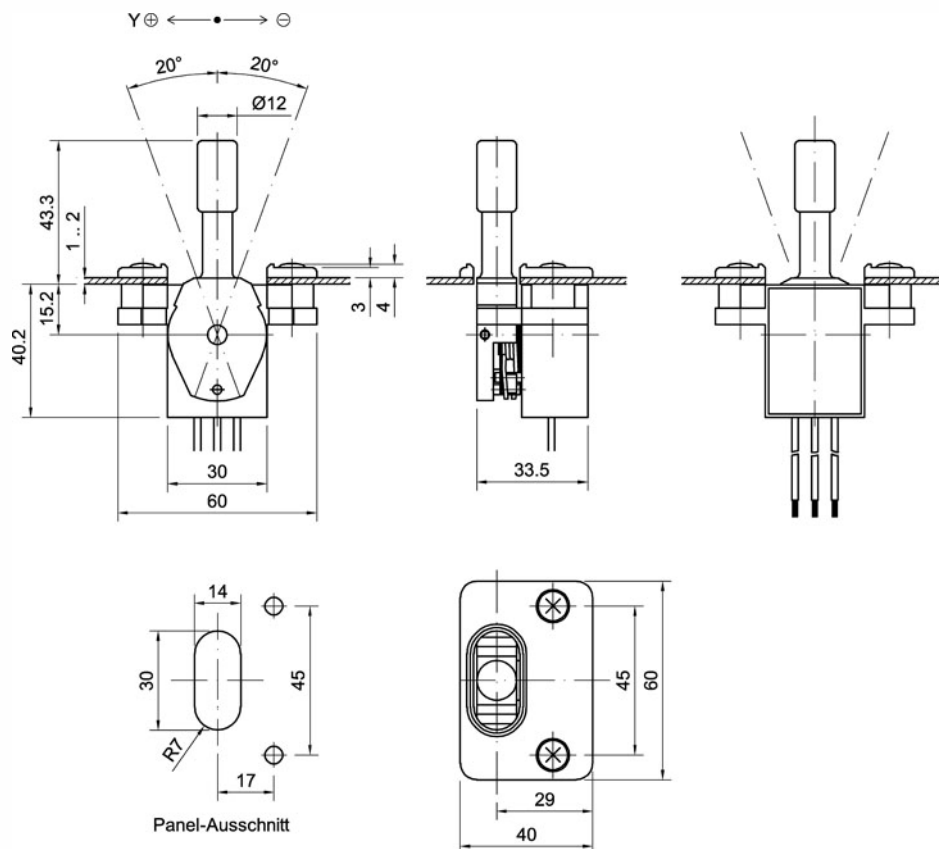


829 Hand-Joystick

- 1 axis, spring return device
- Optional with hall sensor
- Various options possible:
rubber boot, several handles, several resistance values,
additional micro switches, position and direction control
- Applications: printing units, 3-D-machines, lifting devices

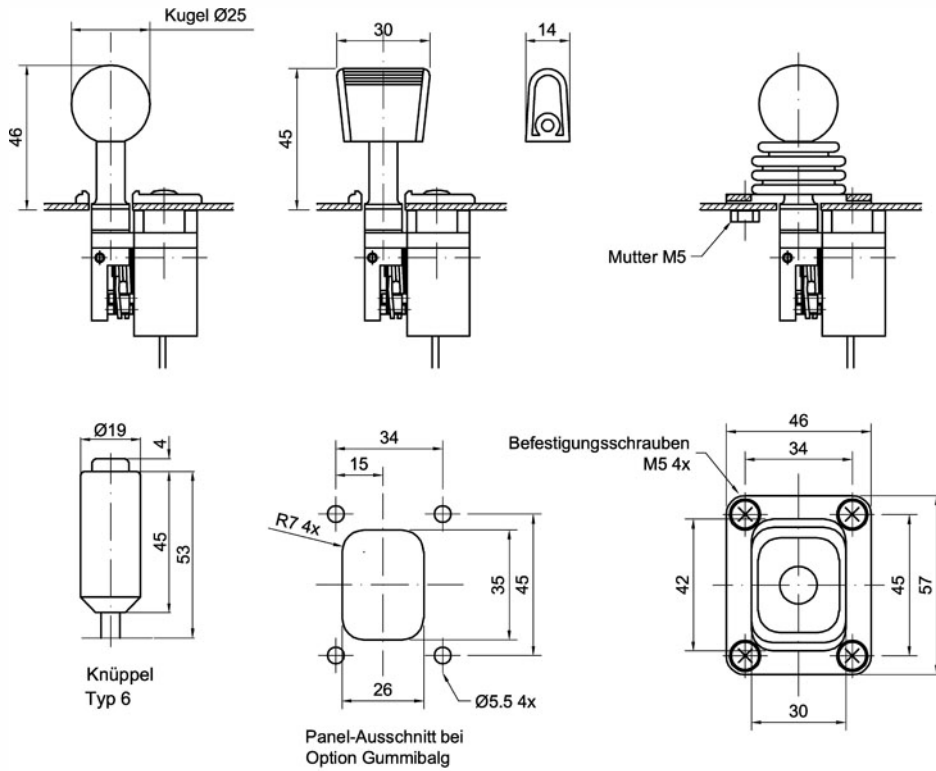


Drawing

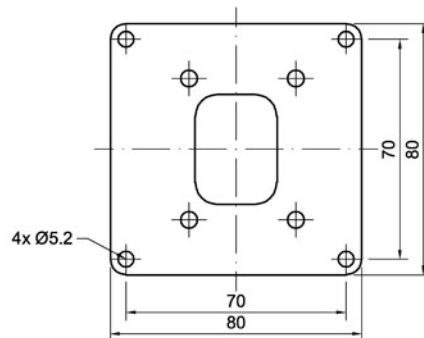


829 Hand-Joystick

Handes / Gaiter / Mounting Plate



Option Montageplatte



Technical Data

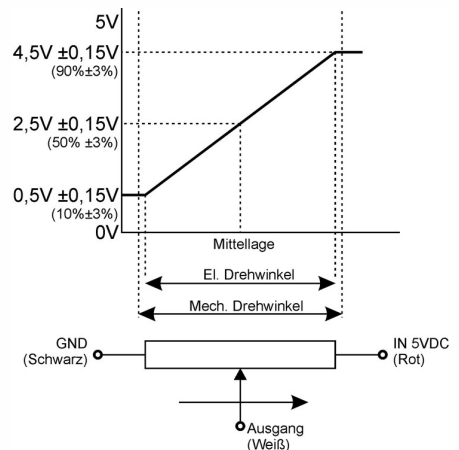
Deflection Axis	$\pm 20^\circ$ from center pos
Deflection force at spring return	≈ 1 N
Reset Accuracy	$\leq \pm 1^\circ$
Operating Temperature	-20 ... +60° C
Storage Temperature	-30 ... +80° C
Vibration (MIL-STD-202F-204)	10 - 55 Hz bei 10g for one minute
Shock (MIL-STD-202F-213)	30 g
Life cycles*	typ. 2 mio. movements
Weight	≈ 100 g
Panel Thickness	ca. 2 mm
Protection Class	IP40

Adaptable Potentiometer X-Axis Type K

Technology Resistance Element	Conductive Plastic
Resistance Value	10 kOhm
Resistance Tolerance	$\pm 20\%$
Linearity Tolerance	$\pm 5\%$ F.S.
Power at 40°C	0,1 W
Electrical Anlge	40°
Bearing	Sleeve Bearing
Life Cycles	typ. 2 mio. movements
Wiper Current	1 mA maximum
Operating Voltage	10 VDC maximum

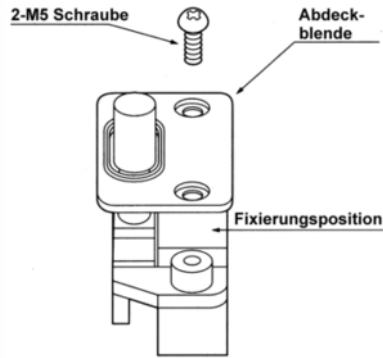
Hall Effekt Sensor Typ H

Technology	Hall Sensor
Supply Voltage	$\pm 5\%$ VDC
Current Consumption	≈ 6 mA
Ouput	0,5 ... 4,5 V
Independent Linearity	$\pm 3\%$
Load Resistance	> 100 kOhm
Resolution	infinite
Temperature Drift Output	$< \pm 2,5\%$ U_{Out} FS
Temperature Drift Center Pos.	$< 0,5\%$ U_{Out} FS
Insulation Strength	1 Minute / 250V AC
Insulation Resistance	> 100 MOhm at 250V AC
Operating Temperature	-20 ... +65° C
Life Cycles	typ. 5 million



829 Hand-Joystick

Mounting



Options and Order Description

	Series	Axis	Bezel	Reset Device	Handle	Trimm	Sensor	Micro Switch
Joystick	829							
1 Axis		1						
Rubber Boot			5					
Square screwed, plane			8					
With Spring Return				1				
Without Spring Return				2				
Friction Clutch for Handle				6				
Handle concave					2			
Handle spheric					3			
Handle flat					F			
Without Trimm						1		
Without Trim with Mounting Plate						4		
Potentiometer Type K							K	
Hall Sensor							H	
Without Switch								0
Switch at Center Pos.								1
Other Switches								2
Please ask for more options								

The specifications and information in this datasheet cannot consider all special demands that are caused by the application. Because of this, they are no general description of the properties of the product.
October 2009. All specifications are subject to change without notice.