

<p>0.5 – 6 mm<sup>2</sup> ① 400 V/6 kV/3 I<sub>N</sub> 35 A</p> <p>AWG 20 – 8</p> <p> 13 mm / 0.51 in</p> <p>② Approvals</p>	<p>0.5 – 6 mm<sup>2</sup> ① 400 V/6 kV/3 I<sub>N</sub> 35 A</p> <p>AWG 20 – 8</p> <p> 13 mm / 0.51 in</p> <p>② Approvals</p>
--	--



Description	Color	Item No.	Pack. Unit	Color	Item No.	Pack. Unit
Pluggable connectors, 5-pole, with CAGE CLAMP®S connection	Socket with strain relief housing and locking levers, for 1 cable, 13 - 18 mm diameter ③			Plug with strain relief housing, for 1 cable, 13 - 18 mm diameter ③		
	● black	831-3105/019-004	5	● black	831-3205/020-004	5
	○ white	831-3105/019-050	5	○ white	831-3205/020-050	5

Info	Dimensions
------	------------

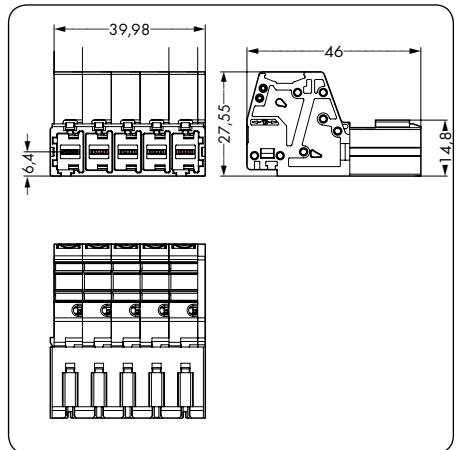
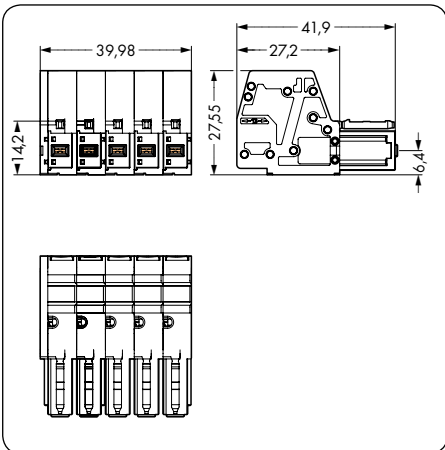
① Conductor sizes: 0.5 – 6 mm<sup>2</sup> "s + f-st"  
0.5 – 4 mm<sup>2</sup> "stranded"

② For "International Certification Organizations" and "Approvals - User Guide," see pages 240 to 243.

③ For H05VV and NYM cables  
For other cables, please contact factory.

● black Coding A (L1 N ⊕ L2 L3)  
○ white Coding A (L1 N ⊕ L2 L3)

For coding information, see pages 224 to 226.  
Fire load data available upon request.





- Note:**
- Installation connectors are designed for connection and disconnection while not under load.
  - There is no hazard-inducing interchangeability with systems based on IEC 60309, IEC 60320, IEC 60906 and with national connector and socket systems.
  - Compliance with the standards (IEC 61535) does not guarantee hazard-avoiding, non-interchangeability with installation connector systems from various manufacturers.
  - Installation connector systems are not a substitute for residential connector/socket systems.
  - WINSTA® RD connectors are not intended for installation in open or easily accessible areas.



**774 Series**  
**Cable Assemblies 3 x 1.5 mm<sup>2</sup>**  
**Cable Assemblies 3 x 2.5 mm<sup>2</sup>**

180 - 181  
 182



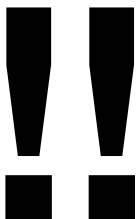
**774 Series**  
**Cable Assemblies 4 x 1.5 mm<sup>2</sup>**

183



**774 Series**  
**Plug Adapters for Attema's Hollow-Wall Boxes**

184



**Important note:**

**WINSTA® round connectors are not available in the United Kingdom, Ireland, Kuwait, Iraq, Saudi Arabia, Iran, Jordan, Bahrain, UAE, Oman, Egypt, Libya and Qatar.**


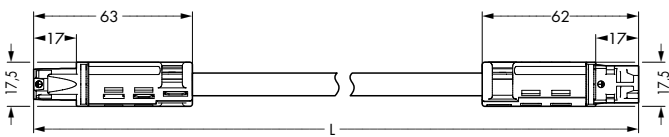

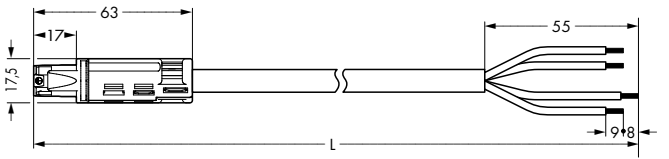

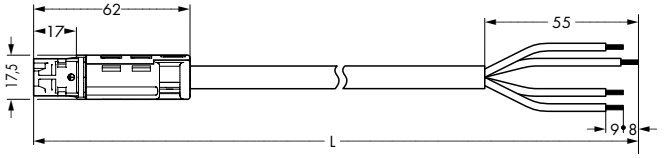
		PVC	H05VV-F 3G1.5	③ H05VV-F 3G2,5	
		halogen-free	H05Z1 Z1-F 3G1.5	③ H05Z1 Z1-F 3G2,5	
		250 V/4 kV/3 I <sub>N</sub> 16 A			
		Conductor ends, bonded: 9 mm			
		① Approvals			
<b>Interconnecting cable, socket with LL ② – plug</b>		Length Item No. black	Item No. white	Item No. black	Item No. white
		● ○ Coding A			
		PVC		halogen-free	
		1 m	774-9993/006-101 .../006-102	774-9993/016-101 .../016-102	774-9993/016-102 .../016-102
		2 m	774-9993/006-201 .../006-202	774-9993/016-201 .../016-202	774-9993/016-202 .../016-202
		3 m	774-9993/006-301 .../006-302	774-9993/016-301 .../016-302	774-9993/016-302 .../016-302
		5 m	774-9993/006-501 .../006-502	774-9993/016-501 .../016-502	774-9993/016-502 .../016-502
		7 m	774-9993/006-701 .../006-702	774-9993/016-701 .../016-702	774-9993/016-702 .../016-702
<b>Connecting cable, socket with LL ② – free end</b>		Length Item No. black	Item No. white	Item No. black	Item No. white
		● ○ Coding A			
		PVC		halogen-free	
		1 m	774-9993/106-101 .../106-102	774-9993/116-101 .../116-102	774-9993/116-102 .../116-102
		2 m	774-9993/106-201 .../106-202	774-9993/116-201 .../116-202	774-9993/116-202 .../116-202
		3 m	774-9993/106-301 .../106-302	774-9993/116-301 .../116-302	774-9993/116-302 .../116-302
		5 m	774-9993/106-501 .../106-502	774-9993/116-501 .../116-502	774-9993/116-502 .../116-502
		7 m	774-9993/106-701 .../106-702	774-9993/116-701 .../116-702	774-9993/116-702 .../116-702
<b>Connecting cable, plug - free end</b>		Length Item No. black	Item No. white	Item No. black	Item No. white
		● ○ Coding A			
		PVC		halogen-free	
		1 m	774-9993/206-101 .../206-102	774-9993/216-101 .../216-102	774-9993/216-102 .../216-102
		2 m	774-9993/206-201 .../206-202	774-9993/216-201 .../216-202	774-9993/216-202 .../216-202
		3 m	774-9993/206-301 .../206-302	774-9993/216-301 .../216-302	774-9993/216-302 .../216-302
		5 m	774-9993/206-501 .../206-502	774-9993/216-501 .../216-502	774-9993/216-502 .../216-502
		7 m	774-9993/206-701 .../206-702	774-9993/216-701 .../216-702	774-9993/216-702 .../216-702
<b>Adapter cable, socket RD – plug MIDI ③</b>		Length Item No. black	Item No. black		
		● Coding A			
		PVC		halogen-free	
		1 m	774-9993/1507-101	774-9993/1517-101	
		2 m	774-9993/1507-201	774-9993/1517-201	
		3 m	774-9993/1507-301	774-9993/1517-301	
		5 m	774-9993/1507-501	774-9993/1517-501	
		7 m	774-9993/1507-701	774-9993/1517-701	

# Cable Assemblies 3 x 1.5 mm<sup>2</sup>

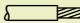
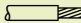
<p>PVC H05VV-F 3x1.5 halogen-free H05Z1Z1-F 3x1.5</p> <p>250 V/4 kV/3 I<sub>N</sub> 16 A</p> <p>Conductor ends, bonded: 9 mm</p> <p>① Approvals</p>																									
<p><b>Connecting cable, socket with LL ② – free end</b></p>	<table border="1"> <thead> <tr> <th>Length</th> <th>Item No. black</th> <th>Item No. black</th> </tr> </thead> <tbody> <tr> <td>● Coding S</td> <td></td> <td></td> </tr> <tr> <td>PVC</td> <td></td> <td>halogen-free</td> </tr> <tr> <td>1 m</td> <td>774-9973/106-105</td> <td>774-9973/116-105</td> </tr> <tr> <td>2 m</td> <td>774-9973/106-205</td> <td>774-9973/116-205</td> </tr> <tr> <td>3 m</td> <td>774-9973/106-305</td> <td>774-9973/116-305</td> </tr> <tr> <td>5 m</td> <td>774-9973/106-505</td> <td>774-9973/116-505</td> </tr> <tr> <td>7 m</td> <td>774-9973/106-705</td> <td>774-9973/116-705</td> </tr> </tbody> </table>	Length	Item No. black	Item No. black	● Coding S			PVC		halogen-free	1 m	774-9973/106-105	774-9973/116-105	2 m	774-9973/106-205	774-9973/116-205	3 m	774-9973/106-305	774-9973/116-305	5 m	774-9973/106-505	774-9973/116-505	7 m	774-9973/106-705	774-9973/116-705
Length	Item No. black	Item No. black																							
● Coding S																									
PVC		halogen-free																							
1 m	774-9973/106-105	774-9973/116-105																							
2 m	774-9973/106-205	774-9973/116-205																							
3 m	774-9973/106-305	774-9973/116-305																							
5 m	774-9973/106-505	774-9973/116-505																							
7 m	774-9973/106-705	774-9973/116-705																							
<p><b>Connecting cable, plug - free end</b></p>	<table border="1"> <thead> <tr> <th>Length</th> <th>Item No. black</th> <th>Item No. black</th> </tr> </thead> <tbody> <tr> <td>● Coding S</td> <td></td> <td></td> </tr> <tr> <td>PVC</td> <td></td> <td>halogen-free</td> </tr> <tr> <td>1 m</td> <td>774-9973/206-105</td> <td>774-9973/216-105</td> </tr> <tr> <td>2 m</td> <td>774-9973/206-205</td> <td>774-9973/216-205</td> </tr> <tr> <td>3 m</td> <td>774-9973/206-305</td> <td>774-9973/216-305</td> </tr> <tr> <td>5 m</td> <td>774-9973/206-505</td> <td>774-9973/216-505</td> </tr> <tr> <td>7 m</td> <td>774-9973/206-705</td> <td>774-9973/216-705</td> </tr> </tbody> </table>	Length	Item No. black	Item No. black	● Coding S			PVC		halogen-free	1 m	774-9973/206-105	774-9973/216-105	2 m	774-9973/206-205	774-9973/216-205	3 m	774-9973/206-305	774-9973/216-305	5 m	774-9973/206-505	774-9973/216-505	7 m	774-9973/206-705	774-9973/216-705
Length	Item No. black	Item No. black																							
● Coding S																									
PVC		halogen-free																							
1 m	774-9973/206-105	774-9973/216-105																							
2 m	774-9973/206-205	774-9973/216-205																							
3 m	774-9973/206-305	774-9973/216-305																							
5 m	774-9973/206-505	774-9973/216-505																							
7 m	774-9973/206-705	774-9973/216-705																							
<p><b>Adapter cable, socket RD – plug MIDI</b></p>	<table border="1"> <thead> <tr> <th>Length</th> <th>Item No. black</th> <th>Item No. black</th> </tr> </thead> <tbody> <tr> <td>● Coding S</td> <td></td> <td></td> </tr> <tr> <td>PVC</td> <td></td> <td>halogen-free</td> </tr> <tr> <td>1 m</td> <td>774-9973/1506-105</td> <td>774-9973/1516-105</td> </tr> <tr> <td>2 m</td> <td>774-9973/1506-205</td> <td>774-9973/1516-205</td> </tr> <tr> <td>3 m</td> <td>774-9973/1506-305</td> <td>774-9973/1516-305</td> </tr> <tr> <td>5 m</td> <td>774-9973/1506-505</td> <td>774-9973/1516-505</td> </tr> <tr> <td>7 m</td> <td>774-9973/1506-705</td> <td>774-9973/1516-705</td> </tr> </tbody> </table>	Length	Item No. black	Item No. black	● Coding S			PVC		halogen-free	1 m	774-9973/1506-105	774-9973/1516-105	2 m	774-9973/1506-205	774-9973/1516-205	3 m	774-9973/1506-305	774-9973/1516-305	5 m	774-9973/1506-505	774-9973/1516-505	7 m	774-9973/1506-705	774-9973/1516-705
Length	Item No. black	Item No. black																							
● Coding S																									
PVC		halogen-free																							
1 m	774-9973/1506-105	774-9973/1516-105																							
2 m	774-9973/1506-205	774-9973/1516-205																							
3 m	774-9973/1506-305	774-9973/1516-305																							
5 m	774-9973/1506-505	774-9973/1516-505																							
7 m	774-9973/1506-705	774-9973/1516-705																							
<p><b>Info</b></p>																									
<p>① For "International Certification Organizations" and "Approvals - User Guide," see pages 240 to 243.</p> <p>② LL = Locking lever</p> <p>For other cables, please contact factory.</p> <p>● black Coding A (L ⊕ N) ○ white Coding A (L ⊕ N) ● brown Coding S (L 2 1)</p> <p>For coding information, see pages 224 to 226. Fire load data available upon request.</p>																									

		PVC H05VV-F 3G2.5 halogen-free H05Z1 Z1-F 3G2.5  250 V/4 kV/3 I <sub>N</sub> 20 A  Conductor ends, bonded: 9 mm ① Approvals				
<b>Interconnecting cable, socket with LL ② – plug</b>		Length	Item No. black	Item No. white	Item No. black	Item No. white
		● ○ Coding A PVC halogen-free				
		1 m	774-9993/007-101	.../007-102	774-9993/017-101	.../017-102
		2 m	774-9993/007-201	.../007-202	774-9993/017-201	.../017-202
		3 m	774-9993/007-301	.../007-302	774-9993/017-301	.../017-302
		5 m	774-9993/007-501	.../007-502	774-9993/017-501	.../017-502
		7 m	774-9993/007-701	.../007-702	774-9993/017-701	.../017-702
<b>Connecting cable, socket with LL ② – free end</b>		Length	Item No. black	Item No. white	Item No. black	Item No. white
		● ○ Coding A PVC halogen-free				
		1 m	774-9993/107-101	.../107-102	774-9993/117-101	.../117-102
		2 m	774-9993/107-201	.../107-202	774-9993/117-201	.../117-202
		3 m	774-9993/107-301	.../107-302	774-9993/117-301	.../117-302
		5 m	774-9993/107-501	.../107-502	774-9993/117-501	.../117-502
		7 m	774-9993/107-701	.../107-702	774-9993/117-701	.../117-702
<b>Connecting cable, plug - free end</b>		Length	Item No. black	Item No. white	Item No. black	Item No. white
		● ○ Coding A PVC halogen-free				
		1 m	774-9993/207-101	.../207-102	774-9993/217-101	.../217-102
		2 m	774-9993/207-201	.../207-202	774-9993/217-201	.../217-202
		3 m	774-9993/207-301	.../207-302	774-9993/217-301	.../217-302
		5 m	774-9993/207-501	.../207-502	774-9993/217-501	.../217-502
		7 m	774-9993/207-701	.../207-702	774-9993/217-701	.../217-702
<b>Info</b>						
① For "International Certification Organizations" and "Approvals - User Guide," see pages 240 to 243.  ② LL = Locking lever  For other cables, please contact factory.  ● black Coding A (L ⊕ N) ○ white Coding A (L ⊕ N)  For coding information, see pages 224 to 226. Fire load data available upon request.						

# Cable Assemblies 4 x 1.5 mm<sup>2</sup>

		PVC H05VV-F 4G1.5 halogen-free H05Z1Z1-F 4G1.5  250 V/4 kV/3 I <sub>N</sub> 16 A  Conductor ends, bonded: 9 mm ① Approvals				
<b>Interconnecting cable, socket with LL ② – plug</b>		Length	Item No. black	Item No. white	Item No. black	Item No. white
 		● ○ Coding A PVC halogen-free				
		1 m	774-9994/006-101	.../006-102	774-9994/016-101	.../016-102
		2 m	774-9994/006-201	.../006-202	774-9994/016-201	.../016-202
		3 m	774-9994/006-301	.../006-302	774-9994/016-301	.../016-302
		5 m	774-9994/006-501	.../006-502	774-9994/016-501	.../016-502
		7 m	774-9994/006-701	.../006-702	774-9994/016-701	.../016-702
<b>Connecting cable, socket with LL ② – free end</b>		Length	Item No. black	Item No. white	Item No. black	Item No. white
 		● ○ Coding A PVC halogen-free				
		1 m	774-9994/106-101	.../106-102	774-9994/116-101	.../116-102
		2 m	774-9994/106-201	.../106-202	774-9994/116-201	.../116-202
		3 m	774-9994/106-301	.../106-302	774-9994/116-301	.../116-302
		5 m	774-9994/106-501	.../106-502	774-9994/116-501	.../116-502
		7 m	774-9994/106-701	.../106-702	774-9994/116-701	.../116-702
<b>Connecting cable, plug - free end</b>		Length	Item No. black	Item No. white	Item No. black	Item No. white
 		● ○ Coding A PVC halogen-free				
		1 m	774-9994/206-101	.../206-102	774-9994/216-101	.../216-102
		2 m	774-9994/206-201	.../206-202	774-9994/216-201	.../216-202
		3 m	774-9994/206-301	.../206-302	774-9994/216-301	.../216-302
		5 m	774-9994/206-501	.../206-502	774-9994/216-501	.../216-502
		7 m	774-9994/206-701	.../206-702	774-9994/216-701	.../216-702
<b>Info</b>						
① For "International Certification Organizations" and "Approvals - User Guide," see pages 240 to 243.  ② LL = Locking lever  For other cables, please contact factory.  ● black Coding A (N ⊕ 2 1) ○ white Coding A (N ⊕ 2 1)  For coding information, see pages 224 to 226. Fire load data available upon request.						

## Plug Adapters for Attema's Hollow-Wall Boxes

	<p><b>2.5 mm<sup>2</sup></b> 250 V/4 kV/3 I<sub>N</sub> 20 A</p> <p> 16 mm / 0.63 in</p> <p><b>1 Approvals</b></p>	<p><b>2.5 mm<sup>2</sup></b> 250 V/4 kV/3 I<sub>N</sub> 20 A</p> <p> 16 mm / 0.63 in</p> <p><b>1 Approvals</b></p>
--	---	---



Description	Color	Item No.	Pack. Unit	Color	Item No.	Pack. Unit
<b>Plug adapters, 3-pole</b>	<b>Plug adapter, for power outlets, A coding</b>			<b>Plug adapter, for power outlets, S coding</b>		
	● black	774-213/9900-0000	10	● brown	774-1373/9900-0000	10

WAGO's plug adapters are designed for Attema's hollow-wall boxes. They permit complete preassembly of switches and power outlets, allowing them to be plugged on site via WINSTA® RD connectors. Therefore, wiring switches and outlets is relocated from the construction site to the factory, simplifying on-site installation and minimizing installation time.

**Info**

**1** For "International Certification Organizations" and "Approvals - User Guide," see pages 240 to 243.

● black Coding A (L ⊕ N)  
● brown Coding S (L 2 1)

For coding information, see pages 224 to 226.  
Fire load data available upon request.







WINSTA® - Perfectly plugged!