

Shield clamping saddle diameter of compatible conductor up to 8 mm	Shield clamping saddle diameter of compatible conductor 7 to 16 mm	Shield clamping saddle diameter of compatible conductor 6 to 24 mm
--	--	--



Item No.	Pack. Unit	Item No.	Pack. Unit	Item No.	Pack. Unit
Shield clamping saddle including knurled screw, 11 mm wide, Note: Cannot be used for connecting ground conductors.		Shield clamping saddle including knurled screw, 19 mm wide, Note: Cannot be used for connecting ground conductors.		Shield clamping saddle including knurled screw, 27 mm wide, Note: Cannot be used for connecting ground conductors.	
790-108	50 (5x10)	790-116	50 (5x10)	790-124	50 (5x10)

Accessories for Shield Clamping Saddles

Carrier with grounding foot, bar parallel to the rail, Cu with tin plating 10 x 3 mm, 15 mm long, suitable for 790-108 shield clamping saddle	Carrier with grounding foot, 90° to carrier rail, Cu with tin plating 10 x 3 mm, 45 mm, suitable for 790 Series shield clamping saddles	Carrier with 2 grounding feet, bar parallel to the rail, Cu with tin plating 10 x 3 mm, 125 mm long
790-110 25	790-113 25	790-115 25
Carrier with grounding foot, bar parallel to the rail, Cu with tin plating 10 x 3 mm, 25 mm long, suitable for 790-108 and 790-116 shield clamping saddles, as well as for 791-111 and 791-117 shield clamps	Carrier with grounding foot, bar parallel to the rail, Cu with tin plating 10 x 3 mm, 45 mm long, suitable for 790 Series shield clamping saddles and 791 Series shield clamps	Straight busbar, Cu with tin plating, 10 x 3 mm, 1000 mm long
790-112 25	790-114 25	210-133 1
Carrier rail, special slotted, Cu with tin plating, 1000 mm long (Special lengths upon request)	Spacer sleeve, for specialty slotted carrier rail, use M5-size screw	Straight busbar, Cu with tin plating, 10 x 3 mm, 30 mm long
790-145 1	790-144 200 (2x100)	790-133 20
		Straight busbar, Cu with tin plating, 10 x 3 mm, 50 mm long
		790-134 20

Installation position delivery state

Closed position

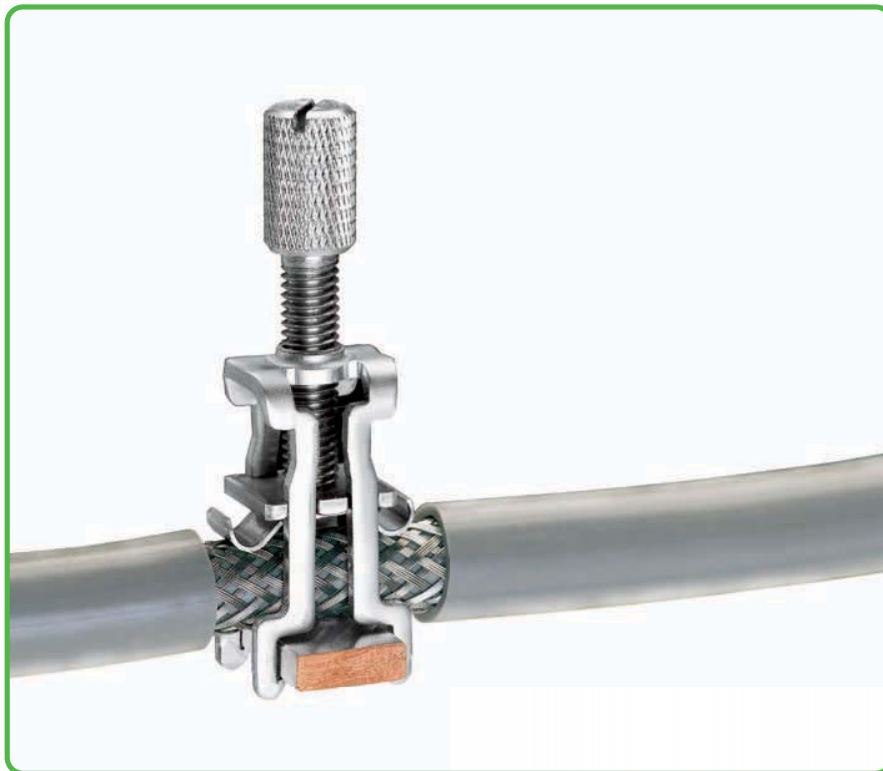
Removal position

Dimensions in mm

Item No.	A	B	C	D	E	F
790-108	51	15	8	16	55	42
790-116	53	15	16	16	57	45
790-124	78	15	24	16	83	58
790-140	97	15	40	16	100	73

Dimensions in mm

Shield clamping saddle
 diameter of compatible conductor
 22 to 40 mm



Item No.	Pack. Unit
Shield clamping saddle including knurled screw, 43 mm wide,	
Note: Cannot be used for connecting ground conductors.	
790-140	50 (5x10)

Accessories for Shield Clamping Saddles

Insulated mounting foot,	
for busbar with screw M4 x 8 mm	
gray	790-100 50 (2x25)

Insulated mounting foot,	
for busbar with sheet metal screw (3.5 x 9) mm	
gray	790-101 50 (2x25)

U-shaped busbar,	
Cu with tin plating 10 x 3 mm,	
for 750 Series I/O modules	
for 5 modules	790-190 25 (5x5)

U-shaped busbar,	
Cu with tin plating 10 x 3 mm,	
for 750 Series I/O modules	
for 8 modules	790-191 25

U-shaped busbar,	
Cu with tin plating 10 x 3 mm,	
for 750 Series I/O modules	
for 5 modules	790-192 25

U-shaped busbar,	
Cu with tin plating 10 x 3 mm,	
for 750 Series I/O modules	
for 8 modules	790-193 25



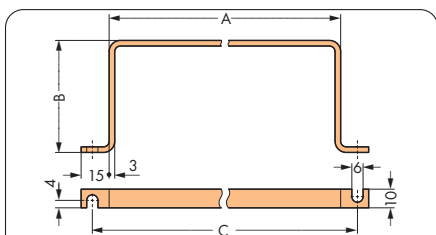
Assembly

The shield clamping saddle is shipped ready for direct connection to the busbar 10 mm (0.394 in) x 3 mm (0.118 in) or to a drilled mounting plate. After connection, tighten the knurled screw to complete the installation.
Maximum tightening torque: 0.5 Nm



Removal

To remove the clamping saddle, unscrew until ratcheted mechanism is released, then slightly tip saddle and remove the clamping saddle.



Dimensions in mm

Item No.	A	B	C	Item No.	A	B	C
suitable for I/O module series 750 (5 E/A)							
790-190	63	60	83	790-192	63	35	83
suitable for I/O module series 750 (8 E/A)							
790-191	100	60	118	790-193	100	35	118

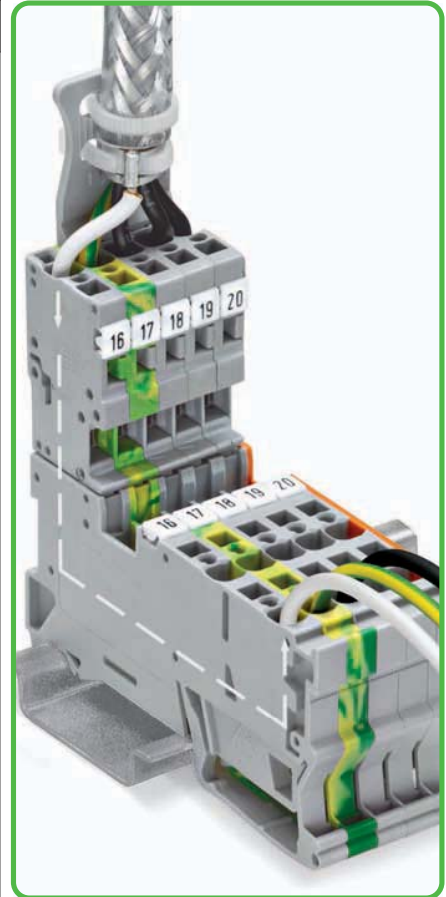
Dimensions in mm

Shield clamp

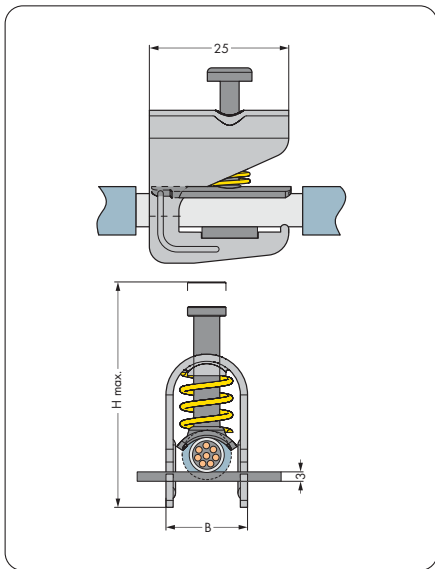
Shield termination



Item No.	Pack. Unit	Item No.	Pack. Unit
Shield clamp, diameter of compatible conductor 10 to 17 mm, height max. 63 mm, 23 mm wide, Note: Cannot be used for connecting ground conductors. 791-117 50		Shield termination, includes cable ties for shield 5 mm and 10 mm Ø 55 mm long 709-350 100 (4x25)	
Shield clamp, diameter of compatible conductor 16 to 24 mm, height max. 78 mm, 30 mm wide, Note: Cannot be used for connecting ground conductors. 791-124 50		Shield termination, includes cable ties for shield 5 mm and 10 mm Ø 150 mm long 709-352 100 (4x25)	
Shield clamp, diameter of compatible conductor 1.5 mm to 6.5 mm, height max. 40 mm, 10 mm wide, Note: Cannot be used for connecting ground conductors. 791-107 50			
Shield clamp, diameter of compatible conductor 5 to 11 mm, height max. 47 mm, 17 mm wide, Note: Cannot be used for connecting ground conductors. 791-111 50			



Shield termination (picture shows X-COM® connectors)



Dimensions in mm

Busbar Carriers 790 Series

Busbar carrier



Snapping the busbar carrier onto DIN 35 rail.



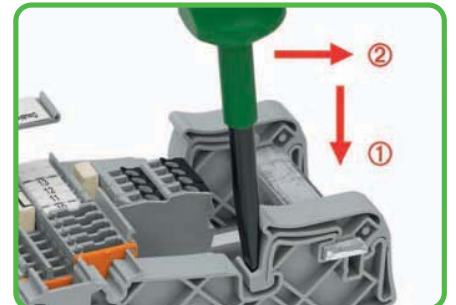
Placing the busbar in the carrier holder.

Item No.	Pack. Unit
790-400	20

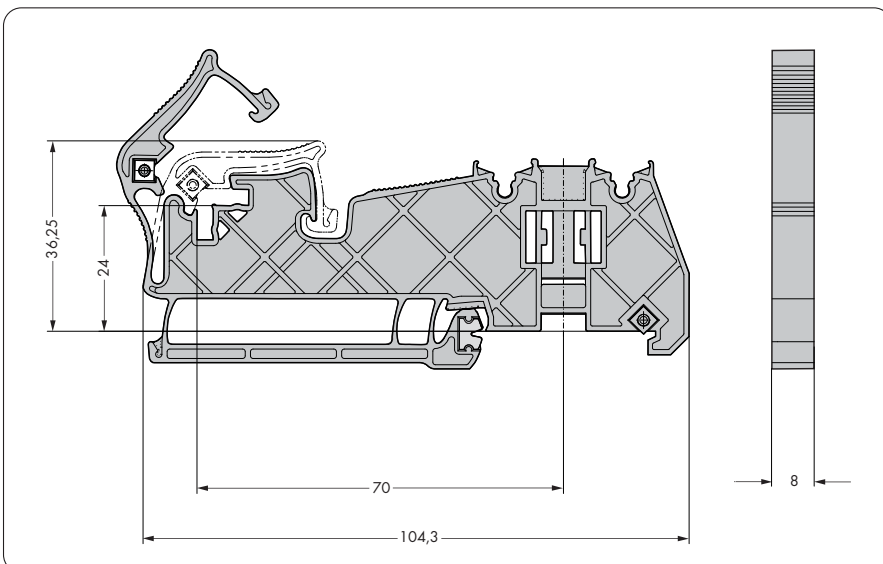
Busbar carrier, insulated,
for busbars Cu 10 mm x 3 mm,
no contact to DIN rail



Snapping the fixing bracket into position.



Release the fixing bracket by pushing the operating tool down ① and then forward. ②



Dimensions in mm

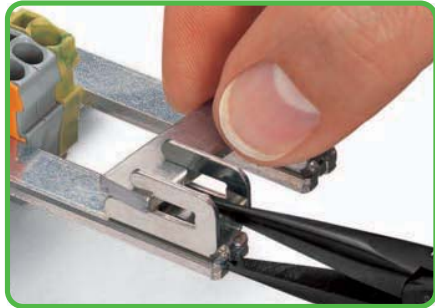
Busbar Carriers 790 Series

530

Busbar carrier	Busbar carrier
----------------	----------------



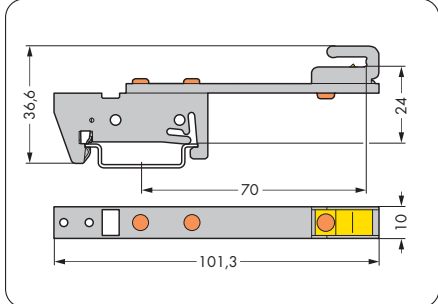
Item No.	Pack. Unit	Item No.	Pack. Unit
Busbar carrier, straight, for busbars Cu 10 mm x 3 mm 790-300	10	Busbar carrier, angled, for busbars Cu 10 mm x 3 mm 790-301	10



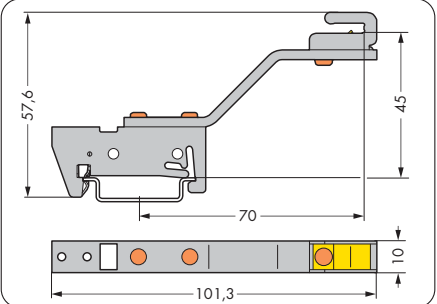
To remove the busbar, compress the spring using pliers.



Remove the busbar carrier using an operating tool, type 3, blade (5.5 x 0.8) mm.



Dimensions in mm



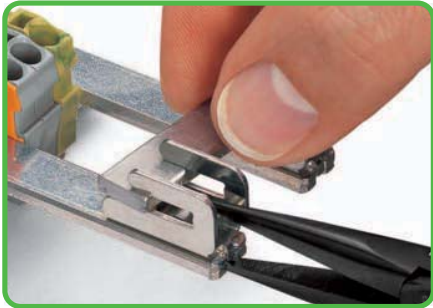
Dimensions in mm

Busbar Carriers 790 Series

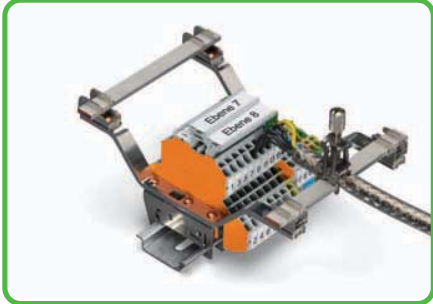
Busbar carrier	Busbar carrier
----------------	----------------



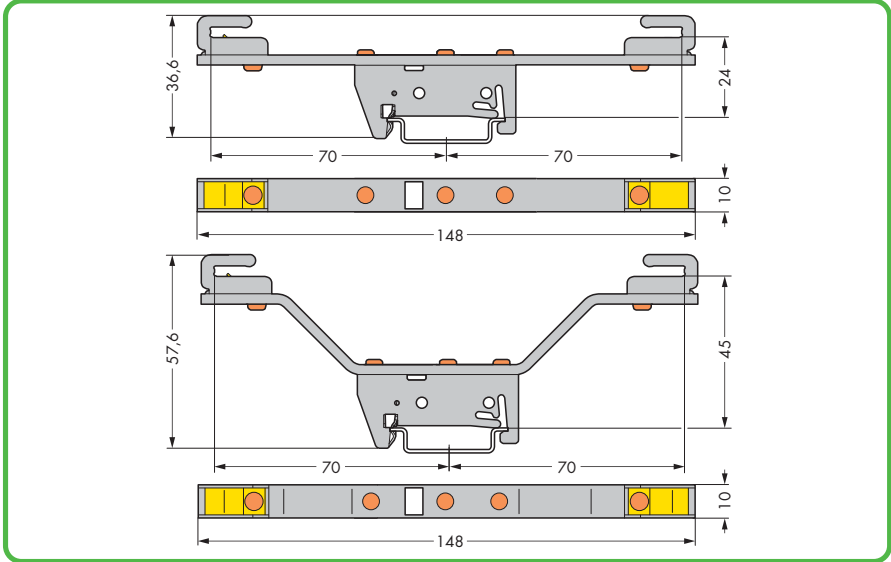
Item No.	Pack. Unit	Item No.	Pack. Unit
Busbar carrier, straight, for busbars Cu 10 mm x 3 mm		Busbar carrier, angled, for busbars Cu 10 mm x 3 mm	
790-310	10	790-311	10



To remove the busbar, compress the spring using pliers.



Application example



Dimensions in mm