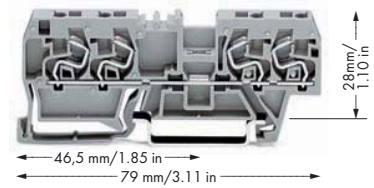
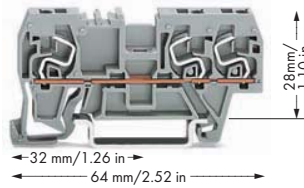
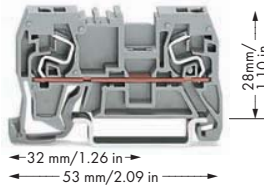


Through and Ground Conductor Terminal Blocks 290 Series

0.34 - 1.5 mm ² "f-st" ^① 0.31 - 1 mm ² "s" ^① 500 V/6 kV/3 ^② I _N 13.5 A Terminal block width 5 mm / 0.197 in	AWG 22-16"f-st" AWG 22-18"s"	0.34 - 1.5 mm ² "f-st" ^① 0.31 - 1 mm ² "s" ^① 500 V/6 kV/3 ^② I _N 13.5 A Terminal block width 5 mm / 0.197 in	AWG 22-16"f-st" AWG 22-18"s"	0.34 - 1.5 mm ² "f-st" ^① 0.31 - 1 mm ² "s" ^① 500 V/6 kV/3 ^② I _N 13.5 A Terminal block width 5 mm / 0.197 in	AWG 22-16"f-st" AWG 22-18"s"
---	---------------------------------	---	---------------------------------	---	---------------------------------



Item No.	Pack. Unit	Item No.	Pack. Unit	Item No.	Pack. Unit
Through terminal block, 1 FIT CLAMP® / 1 FIT CLAMP®		Through terminal block, 1 FIT CLAMP® / 2 FIT CLAMP®		Through terminal block, 2 FIT CLAMP®/2 FIT CLAMP®	
gray 290-961	100	gray 290-661	100	gray 290-861	100
blue 290-964 ③	100	blue 290-664 ③	100	blue 290-864 ③	100
Ground conductor terminal block, 1 FIT CLAMP® / 1 FIT CLAMP®		Ground conductor terminal block, 1 FIT CLAMP® / 2 FIT CLAMP®		Ground conductor terminal block, 2 FIT CLAMP®/2 FIT CLAMP®	
green-yellow 290-967	100	green-yellow 290-667	100	green-yellow 290-867	100
Item-Specific Accessories		Item-Specific Accessories		Item-Specific Accessories	
End and intermediate plate, 1 mm thick		End and intermediate plate, 1.1 mm thick		End and intermediate plate, 1.1 mm thick	
orange 290-306	100 (4x25)	orange 290-302	100 (4x25)	orange 290-310	100 (4x25)
gray 290-305	100 (4x25)	gray 290-301	100 (4x25)	gray 290-309	100 (4x25)

290 Series Accessories

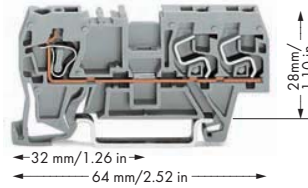
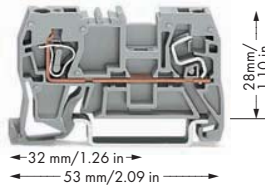
Appropriate marking systems: WMB/WFB
(see Section 13)

Adjacent jumper, insulated, I _N = I _N terminal block gray 280-402 200 (8x25) yellow-green 280-422 200 (8x25)	Spacer module, can be snapped together, 5 mm wide gray 280-419 100 (4x25)	WMB Multi marking system, plain, 10 strips with 10 markers per card, stretchable 5 - 5.2 mm yellow 793-5501/000-002 red 793-5501/000-005 blue 793-5501/000-006 gray 793-5501/000-007 orange 793-5501/000-012 light green 793-5501/000-017 green 793-5501/000-023 violet 793-5501/000-024
Alternate jumper, insulated, I _N = I _N terminal block gray 280-409 100 (4x25)	B-type test plug module, ④ can be snapped together, 5 mm wide gray 249-106 100 (4x25)	
Staggered jumper, ④ insulated, width 5 mm/0.197 in, I _N 24 A from 1 to 2 780-452 100 (4x25) from 1 to 3 780-453 100 (4x25) from 1 to 4 780-454 100 (4x25) from 1 to 5 780-455 50 (2x25) from 1 to 6 780-456 50 (2x25) from 1 to 7 780-457 50 (2x25) from 1 to 8 780-458 50 (2x25)	B-type spacer module, can be snapped together, 5 mm wide gray 249-107 100 (4x25)	
	Test plug, with 500 mm cable, 2 mm Ø red 210-136 50	Screwless end stop, for DIN 35 rail, 6 mm wide gray 249-116 100 (4x25)
	Test plug, with 500 mm cable, 2.3 mm Ø yellow 210-137 50	Screwless end stop, for DIN 35 rail, 10 mm wide gray 249-117 50 (2x25)
Push-in type wire jumper, ④ insulated, I _N 9 A, wire size 0.75 mm ² L = 60 mm 249-125 10 L = 110 mm 249-126 10 L = 250 mm 249-127 10	WMB Inline, plain, stretchable 5 - 5.2 mm, 1,500 WMB markers, 5 mm, on roll white 2009-115 1	
	WMB Multi marking system, 10 strips with 10 markers per card, stretchable 5 - 5.2 mm plain 793-5501 5	
Test plug module, ④ can be snapped together, 5 mm wide gray 280-418 100 (4x25)		

For list of approvals and user guide, see pages 634 to 637.

Through and Ground Conductor Terminal Blocks 290 Series

0.08 - 2.5 mm ² ① 0.34 - 1.5mm ² "f-st" ② 0.31 - 1 mm ² "s" ②	AWG 28-12 * AWG 22-16"f-st" AWG 22-18"s"	0.08 - 2.5 mm ² ① 0.34 - 1.5mm ² "f-st" ② 0.31 - 1 mm ² "s" ②	AWG 28-12 * AWG 22-16"f-st" AWG 22-18"s"
500 V/6 kV/3 ③ I _N 24 A / 13.5 A ① ② ④		500 V/6 kV/3 ③ I _N 24 A / 13.5 A ① ② ④	
Terminal block width 5 mm / 0.197 in		Terminal block width 5 mm / 0.197 in	



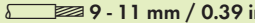
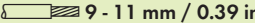
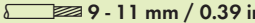
Item No.	Pack. Unit	Item No.	Pack. Unit	290 Series Accessories
Through terminal block, 1 CAGE CLAMP® / 1 FIT CLAMP®		Through terminal block, 1 CAGE CLAMP® / 2 FIT CLAMP®		WMB Multi marking system, 10 strips with 10 markers per card, stretchable 5 - 5.2 mm plain 793-5501 5
gray 290-901 100 blue 290-904 ⑤ 100		gray 290-681 100 blue 290-684 ⑤ 100		
Ground terminal block, 1 CAGE CLAMP® / 1 FIT CLAMP®		Ground terminal block, 1 CAGE CLAMP® / 2 FIT CLAMP®		WMB Multi marking system, plain, 10 strips with 10 markers per card, stretchable 5 - 5.2 mm yellow 793-5501/000-002 red 793-5501/000-005 blue 793-5501/000-006 gray 793-5501/000-007 orange 793-5501/000-012 light green 793-5501/000-017 green 793-5501/000-023 violet 793-5501/000-024 5
green-yellow 290-907 100		green-yellow 290-687 100		
Item-Specific Accessories		Item-Specific Accessories		
End and intermediate plate, 1 mm thick		End and intermediate plate, 1.1 mm thick		
orange 290-306 100 (4x25) gray 290-305 100 (4x25)		orange 290-302 100 (4x25) gray 290-301 100 (4x25)		
290 Series Accessories Appropriate marking systems: WMB/WFB (see Section 13)				
Insulation stop, ⑥ 5 pcs/strip, 0.08 - 0.2 mm ² "s" (0.14 mm ² "f-st") white 280-470 200 (8x25)		Push-in type wire jumper, ⑥ insulated, I _N 9 A, wire size 0.75 mm ² L = 60 mm 249-125 10 L = 110 mm 249-126 10 L = 250 mm 249-127 10		Screwless end stop, for DIN 35 rail, 6 mm wide gray 249-116 100 (4x25)
Insulation stop, ⑥ 5 pcs/strip, 0.25 - 0.5 mm ² light gray 280-471 200 (8x25)				Screwless end stop, for DIN 35 rail, 10 mm wide gray 249-117 50 (2x25)
Insulation stop, ⑥ 5 pcs/strip, 0.75 - 1 mm ² dark gray 280-472 200 (8x25)		Protective warning marker, with high-voltage symbol, black, for 5 terminal blocks yellow 280-415 100 (4x25)		
Adjacent jumper, insulated, I _N = I _N terminal block gray 280-402 200 (8x25) yellow-green 280-422 200 (8x25)		Test plug module, ⑥ can be snapped together, 5 mm wide gray 280-418 100 (4x25)		
Alternate jumper, insulated, I _N = I _N terminal block gray 280-409 100 (4x25)		Spacer module, can be snapped together, 5 mm wide gray 280-419 100 (4x25)		
Staggered jumper, ⑥ insulated, width 5 mm/0.197 in, I _N 24 A from 1 to 2 780-452 100 (4x25) from 1 to 3 780-453 100 (4x25) from 1 to 4 780-454 100 (4x25) from 1 to 5 780-455 50 (2x25) from 1 to 6 780-456 50 (2x25) from 1 to 7 780-457 50 (2x25) from 1 to 8 780-458 50 (2x25)		Test plug, with 500 mm cable, 2 mm Ø red 210-136 50		
		Test plug, with 500 mm cable, 2.3 mm Ø yellow 210-137 50		
		WMB Inline, plain, stretchable 5 - 5.2 mm, 1,500 WMB markers, 5 mm, on roll white 2009-115 1		

For list of approvals and user guide, see pages 634 to 637.

Lighting and "Service" Connectors 224 Series

PUSH WIRE®
CAGE CLAMP®


12
481

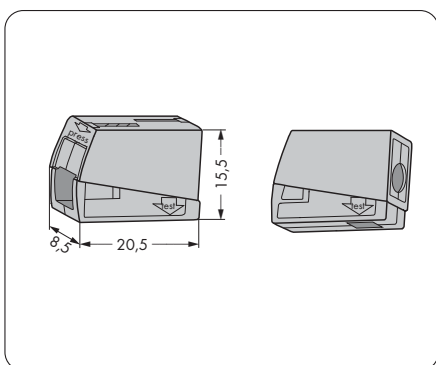
Installation side 1 - 2.5 mm ² "s" AWG 14 - 12 Lighting side 0.5 - 2.5 mm ² "s+f-st" AWG 20 - 16 400 V/4 kV/2; 24 A 300 V, 20 A [Ⓢ]  9 - 11 mm / 0.39 in	Installation side 1 - 2.5 mm ² "s" AWG 14 - 12 Lighting side 0.5 - 2.5 mm ² "s+f-st" AWG 20 - 16 400 V/4 kV/2; 24 A 300 V, 20 A [Ⓢ]  9 - 11 mm / 0.39 in	0.5 - 2.5 mm² "s+f-st" AWG 20 - 16 400 V/4 kV/2 300 V, 20 A [Ⓢ] I _N 24 A  9 - 11 mm / 0.39 in
---	---	---



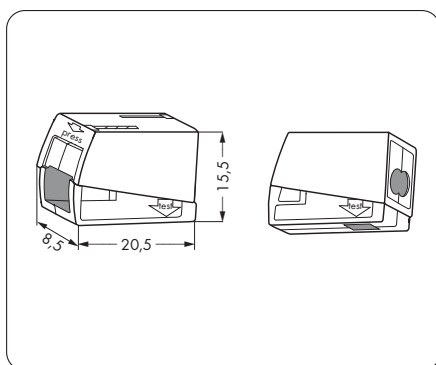
Color	Item No.	Pack. Unit	Color	Item No.	Pack. Unit	Color	Item No.	Pack. Unit
Lighting connector, standard version, continuous service temperature 105 °C			2-conductor lighting connector, standard version, continuous service temperature 105 °C			"Service" connector		
● gray	224-101	1000	○ white	224-112	1000	● gray	224-201	50
Lighting connector, version for increased continuous service temperature of 120 °C			2-conductor lighting connector, version for increased continuous service temperature of 120 °C					
● black	224-104	100	● black	224-114	100			

224 Series Accessories

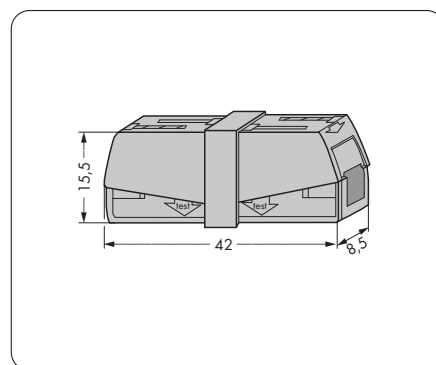
Syringe,  contents: 20 ml "Alu-Plus" contact paste 249-130 20 (4x5)		
--	--	--



Dimensions in mm



Dimensions in mm

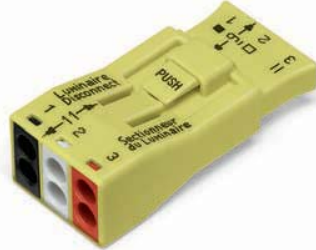


Dimensions in mm

For list of approvals and user guide, see pages 634 to 637.

12

2-conductor plug ① AWG 18 - 12 "s" AWG 16 - 12 "st" 11 - 13 mm / 0.47 in ① 9 - 11 mm / 0.39 in ②	1-conductor socket ② AWG 18 "s" 600 V, 6 A (60) 11 - 13 mm / 0.47 in ① 9 - 11 mm / 0.39 in ②	2-conductor plug ① AWG 18 - 12 "s" AWG 16 - 12 "st" 11 - 13 mm / 0.47 in ① 9 - 11 mm / 0.39 in ②	1-conductor socket ② AWG 18 "s" 600 V, 6 A (60) 11 - 13 mm / 0.47 in ① 9 - 11 mm / 0.39 in ②
---	---	---	---



- ① 2-conductor plug
- ② 1-conductor socket

Pole No.	Item No.	Pack. Unit	Pole No.	Item No.	Pack. Unit
Luminaire disconnect connector			Luminaire disconnect connector		
2	873-902	40	3	873-903	20

Touchproof connectors are required for ballast supply cables in the USA and Canada.
 When exchanging a ballast:
 1. The touchproof plug-in connection is disconnected first
 2. The ballast is replaced
 3. Network connection is restored by plugging the connection.
 This streamlines ballast replacement while enhancing safety by safeguarding the installer from electric shock.
 The 873 Series connectors are approved according to UL 2459 and CSA 22.2 for this type of application.

Luminaire Disconnect
Sectionneur du luminaire

PUSH

✓ 18-12 AWG CU, SOL, UL/CSA 0,75 - 4 mm ²	✓ 18 AWG CU, SOL, UL/CSA 0,75 mm ²
✓ 16-12 AWG (≤19 str.) CU, UL 1,5 - 4 mm ² One-time use only - Do not reuse N'utiliser qu'une seule fois	✗ ✗
0.45 inch / 11 - 13 mm	0.35 inch / 9 - 11 mm

Correct method of solid wire removal
 Hold wire to be removed in one hand, the connector in the other - twist slightly while pulling the connector.

Déconnexion correcte du conducteur rigide
 Tenir d'une main le conducteur à déconnecter et de l'autre main le connecteur - Opérer une légère torsion du conducteur tout en tirant sur le connecteur.

The 873 Series is approved to:

EN 60998
 0.2 mm² - 0.5 mm² solid, 6A for female part
 1.5 mm² - 4 mm² solid, 32A for male part
 400 V/4 kV/2

EN 61984
 0.75 mm² solid, 6A for female part
 0.75 mm² - 4 mm² solid, 32A for male part
 400 V/4 kV/2

Luminaire Disconnect Connectors (US Version Only) 873 Series

2-conductor plug ① AWG 18 - 12 "s" AWG 16 - 12 "st" 11 - 13 mm / 0.47 in ① 9 - 11 mm / 0.39 in ②	1-conductor socket ② AWG 18 "s" 600 V, 6 A ^① 11 - 13 mm / 0.47 in ① 9 - 11 mm / 0.39 in ②
---	---



- ① 2-conductor plug
- ② 1-conductor socket

Pole No.	Item No.	Pack. Unit
	Luminaire disconnect connector,	
	preceding ground contact in center position	
3	873-953	500

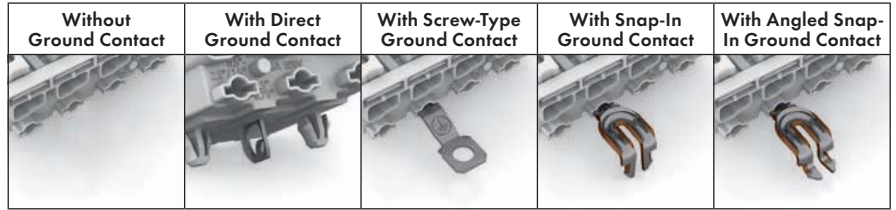
Touchproof connectors are required for ballast supply cables in the USA and Canada.
When exchanging a ballast:
1. The touchproof plug-in connection is disconnected first
2. The ballast is replaced
3. Network connection is restored by plugging the connection.
 This streamlines ballast replacement while enhancing safety by safeguarding the installer from electric shock.
 The 873 Series connectors are approved according to UL 2459 and CSA 22.2 for this type of application.

<p>✓ 18-12 AWG CU, SOL, UL/CSA 0,75 - 4 mm²</p> <p>✓ 16-12 AWG (≤ 19 str.) CU, UL 14-12 AWG (≤ 19 str.) CU, CSA 1,5 - 4 mm² One-time use only - Do not reuse N'utiliser qu'une seule fois</p> <p></p>	<p>✓ 18 AWG CU, SOL, UL/CSA 0,75 mm²</p> <p></p> <p></p>
0.45 inch / 11 - 13 mm	0.35 inch / 9 - 11 mm
<p></p> <p></p> <p>Correct method of solid wire removal Hold wire to be removed in one hand, the connector in the other - twist slightly while pulling the connector.</p> <p>Déconnexion correcte du conducteur rigide Tenir d'une main le conducteur à déconnecter et de l'autre main le connecteur - Opérer une légère torsion du conducteur tout en tirant sur le connecteur.</p>	


873 Series approvals acc. to EN:
EN 60998
 0.2 mm² - 0.5 mm² solid, 6A for female part
 1.5 mm² - 4 mm² solid, 32A for male part
 400 V/4 kV/2
EN 61984
 0.75 mm² solid, 6A for female part
 0.75 mm² - 4 mm² solid, 32A for male part
 400 V/4 kV/2


For list of approvals and user guide, see pages 634 to 637.


Power Supply Connectors With Two Snap-In Mounting Feet 294 Series



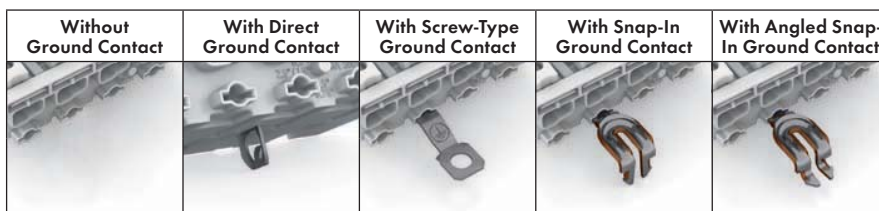
Pole No.	Marking	Item No.	Item No.	Item No.	Item No.	Item No.
2 	without	294-5002	- - -	- - -	- - -	- - -
	N L	294-5012	- - -	- - -	- - -	- - -
	N' L'	294-5022	- - -	- - -	- - -	- - -
	DA- DA+	294-5032	- - -	- - -	- - -	- - -
	- +	294-5072	- - -	- - -	- - -	- - -
	1 N	294-5052	- - -	- - -	- - -	- - -
	2 1	294-5042	- - -	- - -	- - -	- - -


3 	without	294-5003	- - -	- - -	- - -	- - -
	N ⊕ L	294-5013	294-5113	294-5413	294-5213	294-5313
	N' ⊕ L'	294-5023	294-5123	294-5423	294-5223	294-5323
	1 ⊕ N	294-5053	294-5153	294-5453	294-5253	294-5353
	3 2 1	294-5043	- - -	- - -	- - -	- - -


4 	without	294-5004	- - -	- - -	- - -	- - -
	1/L' 2/L ⊕ N	294-5024	294-5124	294-5424	294-5224	294-5324
	1 2 ⊕ N	294-5014	294-5114	294-5414	294-5214	294-5314
	4 3 2 1	294-5044	- - -	- - -	- - -	- - -


5 	without	294-5005	- - -	- - -	- - -	- - -
	L3 L2 L1 ⊕ N	294-5015	- - -	294-5415	294-5215	294-5315
	L' N' L ⊕ N	294-5025	- - -	294-5425	294-5225	294-5325
	DA+ DA- L ⊕ N	294-5035	- - -	294-5435	294-5235	294-5335
	DA- N ⊕ L DA+	294-5075	294-5175	294-5475	294-5275	294-5375
	3 N ⊕ 1 2	294-5055	294-5155	294-5455	294-5255	294-5355
	5 4 3 2 1	294-5045	- - -	- - -	- - -	- - -


Power Supply Connectors Without Snap-In Mounting Feet 294 Series





Pole No.	Marking	Item No.	Item No.	Item No.	Item No.	Item No.
	without	294-4002	- - -	- - -	- - -	- - -
	N L	294-4012	- - -	- - -	- - -	- - -
	N' L'	294-4022	- - -	- - -	- - -	- - -
	DA- DA+	294-4032	- - -	- - -	- - -	- - -
	- +	294-4072	- - -	- - -	- - -	- - -
	1 N	294-4052	- - -	- - -	- - -	- - -
	2 1	294-4042	- - -	- - -	- - -	- - -

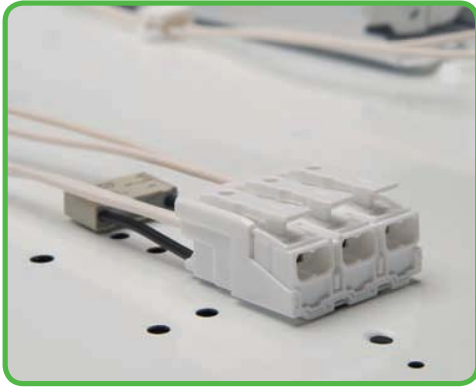
	without	294-4003	- - -	- - -	- - -	- - -
	N ⊕ L	294-4013	- - -	294-4413	294-4213	294-4313
	N' ⊕ L'	294-4023	- - -	294-4423	294-4223	294-4323
	1 ⊕ N	294-4053	- - -	294-4453	294-4253	294-4353
	3 2 1	294-4043	- - -	- - -	- - -	- - -

	without	294-4004	- - -	- - -	- - -	- - -
	1/L' 2/L ⊕ N	294-4024	- - -	294-4424	294-4224	294-4324
	1 2 ⊕ N	294-4014	- - -	294-4414	294-4214	294-4314
	4 3 2 1	294-4044	- - -	- - -	- - -	- - -

	without	294-4005	- - -	- - -	- - -	- - -
	L3 L2 L1 ⊕ N	294-4015	- - -	294-4415	294-4215	294-4315
	L' N' L ⊕ N	294-4025	- - -	294-4425	294-4225	294-4325
	DA+ DA- L ⊕ N	294-4035	- - -	294-4435	294-4235	294-4335
	DA- N ⊕ L DA+	294-4075	- - -	294-4475	294-4275	294-4375
	3 N ⊕ 1 2	294-4055	- - -	294-4455	294-4255	294-4355
	5 4 3 2 1	294-4045	- - -	- - -	- - -	- - -

	without	294-4006	- - -	- - -	- - -	- - -

	without	294-4007	- - -	- - -	- - -	- - -



- External connection of solid, stranded and fine-stranded connectors
- Universal conductor termination (AWG, metric)
- Third contact located at the bottom of internal connector end
- Strain relief plate can be retrofitted

Technical data

	IEC/EN 60998-1	IEC/EN 60998-2-2	
Rating per	II	II	
Overvoltage category	II	II	
Pollution degree	2	2	
Rated voltage	500 V	500 V	
Rated surge voltage	4 kV	4 kV	
Nominal current	24 A	24 A	
Temperature rating	T 85	T 85	

Conductor data (external connection):

Connection technology	CAGE CLAMP®S
Conductor size: solid, stranded or fine-stranded	2 x 0.5 - 2.5 mm ²
Conductor size: with ferrule	2 x 0.5 - 1.5 mm ²
AWG: solid	2 x 18 - 12
AWG: fine-stranded and stranded	2 x 18 - 14
Strip length	8 - 9 mm / 0.31 - 0.35 in

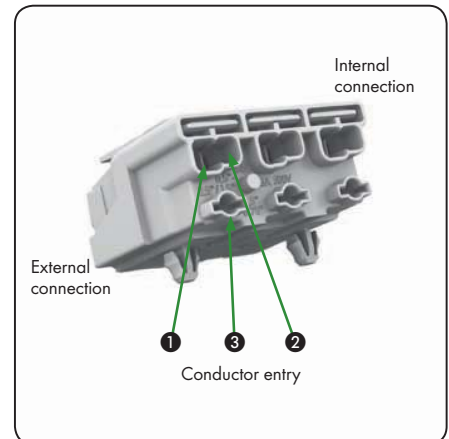
Conductor data (internal connection):

Connection technology	PUSH WIRE®
Conductor entry ①	
Conductor size: solid	0.5 - 2.5 mm ²
Conductor size: fine-stranded	0.5 - 1.5 mm ² (with uninsulated ferrule)
Conductor size: fine-stranded	0.5 - 1 mm ² (with insulated ferrule)
AWG: solid	18 - 14
Strip length	8 - 9 mm / 0.31 - 0.35 in
Conductor entry ②	
Conductor size: solid	0.5 - 1.5 mm ²
Conductor size: fine-stranded	0.5 - 1 mm ² (with uninsulated ferrule)
Conductor size: fine-stranded	0.5 - 0.75 mm ² (with insulated ferrule)
AWG: solid	18 - 16
Strip length	8 - 9 mm / 0.31 - 0.35 in
Conductor entry ③	
Conductor size: solid	0.5 - 0.75 mm ²
AWG: solid	18
Strip length	8 - 9 mm / 0.31 - 0.35 in

Material data:

Material group	IIIa
Insulating material	Polycarbonate (PC)
Temperature stability	Relative temperature index (RTI) of 125°C
Flammability rating per UL 94	VO
Clamping spring material	Chrome nickel spring steel (CrNi)
Contact material	Electrolytic copper (E _{Cu})
Contact plating	tin-plated

16 mm-high versions are available upon request.

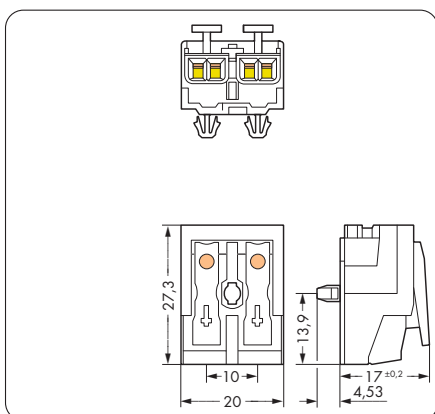


Power Supply Connectors, 2-Pole 294 Series

without ground contact



	Item No.	Pack. Unit
Terminal block for field connection without ground contact,		
with snap-in mounting feet,		
2-pole, white		
<input type="radio"/> N-L	294-5012	1000
<input type="radio"/> N'-L'	294-5022	1000
<input type="radio"/> DA- DA+	294-5032	1000
<input type="radio"/> - +	294-5072	1000
<input type="radio"/> 2-1	294-5042	1000
<input type="radio"/> 1-N	294-5052	1000
<input type="radio"/> plain	294-5002	1000
Terminal block for field connection without ground contact,		
without snap-in mounting feet,		
2-pole, white		
<input type="radio"/> N-L	294-4012	1000
<input type="radio"/> N'-L'	294-4022	1000
<input type="radio"/> DA- DA+	294-4032	1000
<input type="radio"/> - +	294-4072	1000
<input type="radio"/> 2-1	294-4042	1000
<input type="radio"/> 1-N	294-4052	1000
<input type="radio"/> plain	294-4002	1000



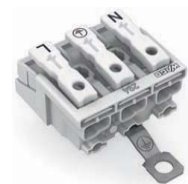
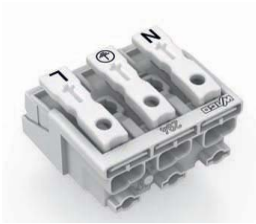
Dimensions in mm

For list of approvals and user guide, see pages 634 to 637.

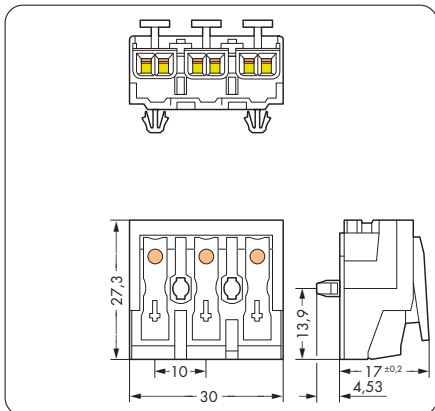
without ground contact

with direct ground contact

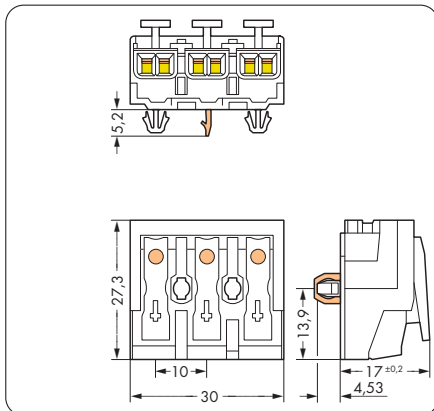
with screw-type ground contact



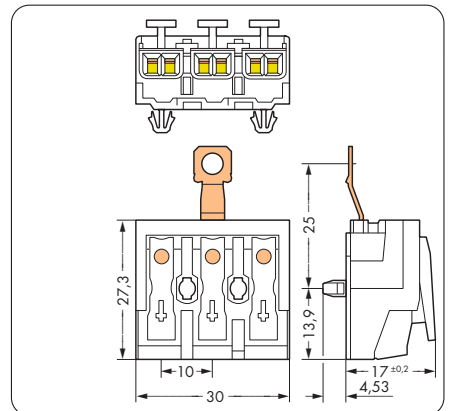
Item No.	Pack. Unit	Item No.	Pack. Unit	Item No.	Pack. Unit
Terminal block for field connection without ground contact,		Terminal block for field connection with direct ground contact,		Terminal block for field connection with screw-type ground contact,	
with snap-in mounting feet,		with snap-in mounting feet,		with snap-in mounting feet,	
3-pole, white		3-pole, white		3-pole, white	
<input type="radio"/> N-PE-L	294-5013 500	<input type="radio"/> N-PE-L	294-5113 500	<input type="radio"/> N-PE-L	294-5413 500
<input type="radio"/> N'-PE-L'	294-5023 500	<input type="radio"/> N'-PE-L'	294-5123 500	<input type="radio"/> N'-PE-L'	294-5423 500
<input type="radio"/> 1-PE-N	294-5053 500	<input type="radio"/> 1-PE-N	294-5153 500	<input type="radio"/> 1-PE-N	294-5453 500
<input type="radio"/> 3-2-1	294-5043 500				
<input type="radio"/> plain	294-5003 500				
Terminal block for field connection without ground contact,		Terminal block for field connection with screw-type ground contact,			
without snap-in mounting feet,		without snap-in mounting feet,			
3-pole, white		3-pole, white			
<input type="radio"/> N-PE-L	294-4013 500	<input type="radio"/> N-PE-L	294-4413 500		
<input type="radio"/> N'-PE-L'	294-4023 500	<input type="radio"/> N'-PE-L'	294-4423 500		
<input type="radio"/> 1-PE-N	294-4053 500	<input type="radio"/> 1-PE-N	294-4453 500		
<input type="radio"/> 3-2-1	294-4043 500				
<input type="radio"/> plain	294-4003 500				



Dimensions in mm



Dimensions in mm



Dimensions in mm

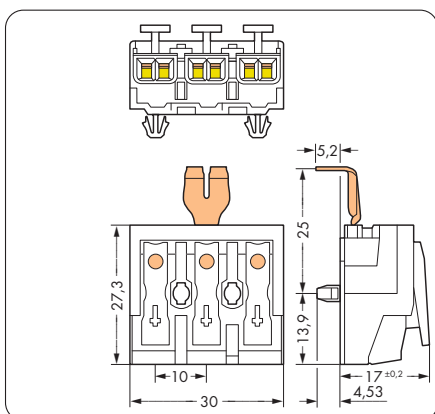
with snap-in ground contact	with angled snap-in ground contact
-----------------------------	------------------------------------



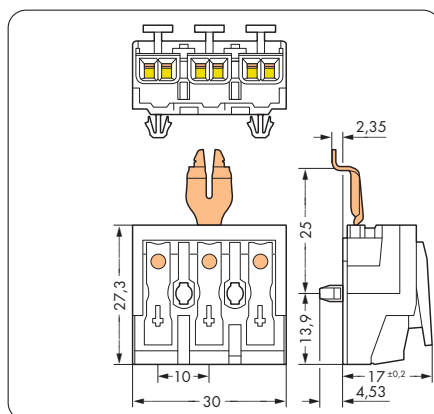
Item No.	Pack. Unit	Item No.	Pack. Unit
Terminal block for field connection with snap-in ground contact,		Terminal block for field connection with angled snap-in ground contact,	
with snap-in mounting feet,		with angled snap-in mounting feet,	
3-pole, white		3-pole, white	
○ N-PE-L	294-5213 500	○ N-PE-L	294-5313 500
○ N'-PE-L'	294-5223 500	○ N'-PE-L'	294-5323 500
○ 1-PE-N	294-5253 500	○ 1-PE-N	294-5353 500
Terminal block for field connection with snap-in ground contact,		Terminal block for field connection with angled snap-in ground contact,	
without snap-in mounting feet,		without snap-in mounting feet,	
3-pole, white		3-pole, white	
○ N-PE-L	294-4213 500	○ N-PE-L	294-4313 500
○ N'-PE-L'	294-4223 500	○ N'-PE-L'	294-4323 500
○ 1-PE-N	294-4253 500	○ 1-PE-N	294-4353 500



Mounting of strain relief plate by simple insertion into the lighting connector, 294 Series.



Dimensions in mm

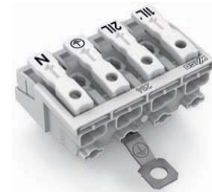
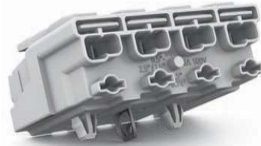
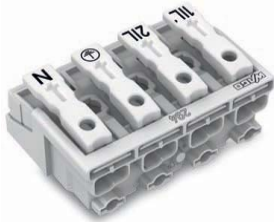


Dimensions in mm

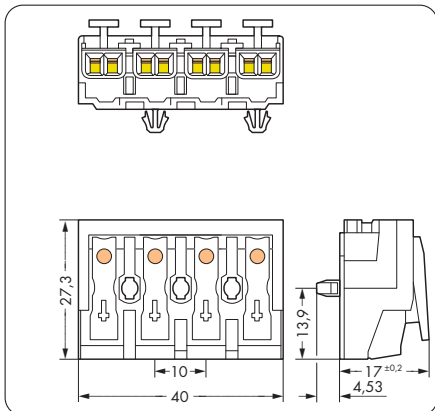
without ground contact

with direct ground contact

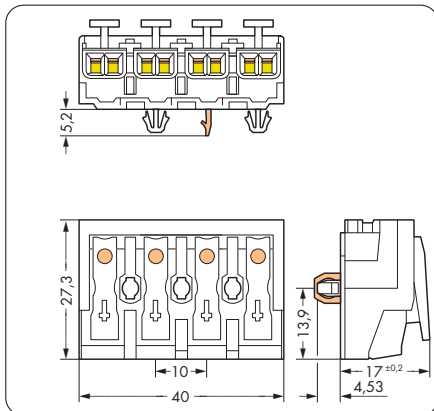
with screw-type ground contact



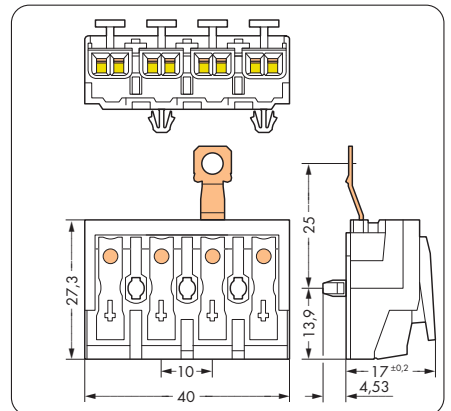
Item No.	Pack. Unit	Item No.	Pack. Unit	Item No.	Pack. Unit
Terminal block for field connection without ground contact, with snap-in mounting feet, 4-pole, white		Terminal block for field connection with direct ground contact, with snap-in mounting feet, 4-pole, white		Terminal block for field connection with screw-type ground contact, with snap-in mounting feet, 4-pole, white	
○ 1/L'-2/L-PE-N	294-5024 500	○ 1/L'-2/L-PE-N	294-5124 500	○ 1/L'-2/L-PE-N	294-5424 500
○ 1-2-PE-N	294-5014 500	○ 1-2-PE-N	294-5114 500	○ 1-2-PE-N	294-5414 500
○ 4-3-2-1	294-5044 500				
○ plain	294-5004 500				
Terminal block for field connection without ground contact, without snap-in mounting feet, 4-pole, white				Terminal block for field connection with screw-type ground contact, without snap-in mounting feet, 4-pole, white	
○ 1/L'-2/L-PE-N	294-4024 500			○ 1/L'-2/L-PE-N	294-4424 500
○ 1-2-PE-N	294-4014 500			○ 1-2-PE-N	294-4414 500
○ 4-3-2-1	294-4044 500				
○ plain	294-4004 500				



Dimensions in mm

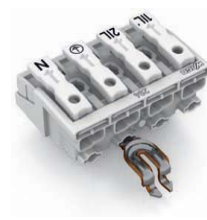


Dimensions in mm

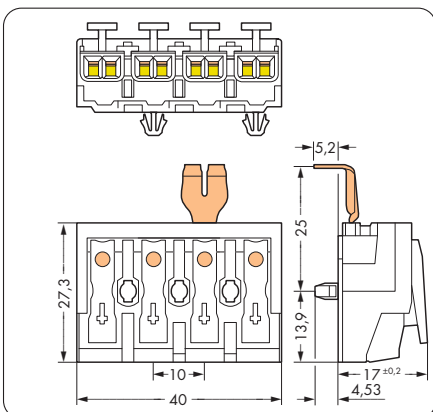


Dimensions in mm

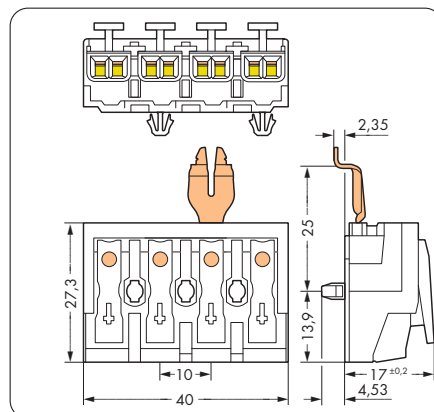
with snap-in ground contact	with angled snap-in ground contact
-----------------------------	------------------------------------



Item No.	Pack. Unit	Item No.	Pack. Unit
Terminal block for field connection with snap-in ground contact, with snap-in mounting feet, 4-pole, white		Terminal block for field connection with angled snap-in ground contact, with snap-in mounting feet, 4-pole, white	
○ 1/L'-2/L-PE-N	294-5224 500	○ 1/L'-2/L-PE-N	294-5324 500
○ 1-2-PE-N	294-5214 500	○ 1-2-PE-N	294-5314 500
Terminal block for field connection without snap-in ground contact, without snap-in mounting feet, 4-pole, white		Terminal block for field connection with angled snap-in ground contact, without snap-in mounting feet, 4-pole, white	
○ 1/L'-2/L-PE-N	294-4224 500	○ 1/L'-2/L-PE-N	294-4324 500
○ 1-2-PE-N	294-4214 500	○ 1-2-PE-N	294-4314 500



Dimensions in mm

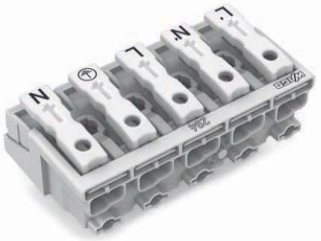


Dimensions in mm

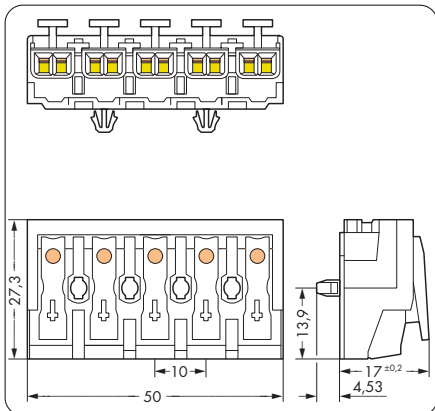
without ground contact

with direct ground contact

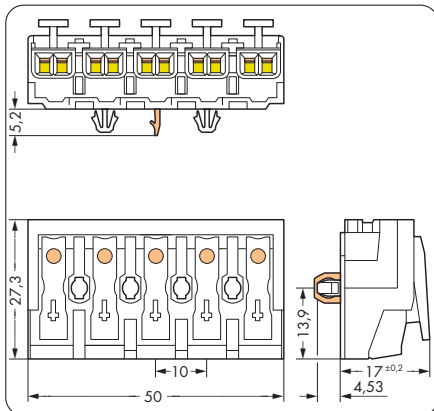
with screw-type ground contact



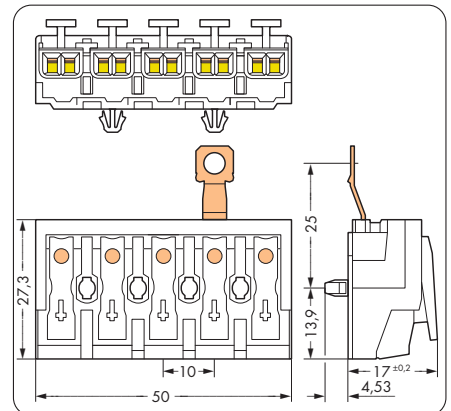
Item No.	Pack. Unit	Item No.	Pack. Unit	Item No.	Pack. Unit
Terminal block for field connection without ground contact,		Terminal block for field connection with direct ground contact,		Terminal block for field connection with screw-type ground contact,	
with snap-in mounting feet,		with snap-in mounting feet,		with snap-in mounting feet,	
5-pole, white		5-pole, white		5-pole, white	
<input type="radio"/> L'-N'-L-PE-N	294-5025 250	<input type="radio"/> DA- N PE L DA+	294-5175 250	<input type="radio"/> L'-N'-L-PE-N	294-5425 250
<input type="radio"/> L3-L2-L1-PE-N	294-5015 250	<input type="radio"/> 3-N-PE-1-2	294-5155 250	<input type="radio"/> L3-L2-L1-PE-N	294-5415 250
<input type="radio"/> DA+ DA- L PE N	294-5035 250			<input type="radio"/> DA+ DA- L PE N	294-5435 250
<input type="radio"/> DA- N PE L DA+	294-5075 250			<input type="radio"/> DA- N PE L DA+	294-5475 250
<input type="radio"/> 3-N-PE-1-2	294-5055 250			<input type="radio"/> 3-N-PE-1-2	294-5455 250
<input type="radio"/> 5-4-3-2-1	294-5045 250				
<input type="radio"/> plain	294-5005 250				
Terminal block for field connection without ground contact,		Terminal block for field connection with screw-type ground contact,		Terminal block for field connection with screw-type ground contact,	
without snap-in mounting feet,		without snap-in mounting feet,		without snap-in mounting feet,	
5-pole, white		5-pole, white		5-pole, white	
<input type="radio"/> L'-N'-L-PE-N	294-4025 250			<input type="radio"/> L'-N'-L-PE-N	294-4425 250
<input type="radio"/> L3-L2-L1-PE-N	294-4015 250			<input type="radio"/> L3-L2-L1-PE-N	294-4415 250
<input type="radio"/> DA+ DA- L PE N	294-4035 250			<input type="radio"/> DA+ DA- L PE N	294-4435 250
<input type="radio"/> DA- N PE L DA+	294-4075 250			<input type="radio"/> DA- N PE L DA+	294-4475 250
<input type="radio"/> 3-N-PE-1-2	294-4055 250			<input type="radio"/> 3-N-PE-1-2	294-4455 250
<input type="radio"/> 5-4-3-2-1	294-4045 250				
<input type="radio"/> plain	294-4005 250				



Dimensions in mm



Dimensions in mm

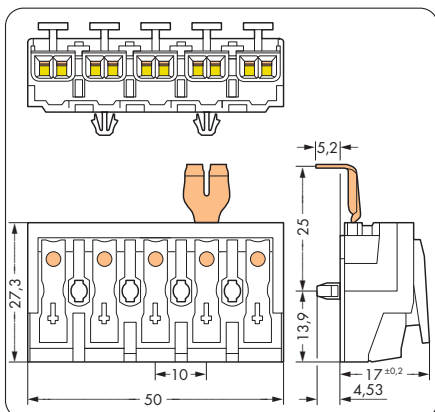


Dimensions in mm

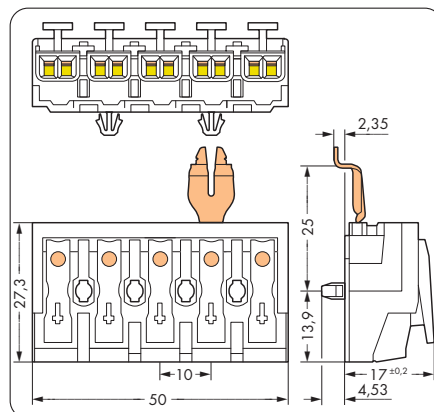
with snap-in ground contact	with angled snap-in ground contact
-----------------------------	------------------------------------



Item No.	Pack. Unit	Item No.	Pack. Unit
Terminal block for field connection with snap-in ground contact,		Terminal block for field connection with angled snap-in ground contact,	
with snap-in mounting feet,		with snap-in mounting feet,	
5-pole, white		5-pole, white	
<input type="radio"/> L'-N'-L-PE-N	294-5225 250	<input type="radio"/> L'-N'-L-PE-N	294-5325 250
<input type="radio"/> L3-L2-L1-PE-N	294-5215 250	<input type="radio"/> L3-L2-L1-PE-N	294-5315 250
<input type="radio"/> DA+ DA- L PE N	294-5235 250	<input type="radio"/> DA+ DA- L PE N	294-5335 250
<input type="radio"/> DA- N PE L DA+	294-5275 250	<input type="radio"/> DA- N PE L DA+	294-5375 250
<input type="radio"/> 3-N-PE-1-2	294-5255 250	<input type="radio"/> 3-N-PE-1-2	294-5355 250
Terminal block for field connection with snap-in ground contact,		Terminal block for field connection with angled snap-in ground contact,	
without snap-in mounting feet,		without snap-in mounting feet,	
5-pole, white		5-pole, white	
<input type="radio"/> L'-N'-L-PE-N	294-4225 250	<input type="radio"/> L'-N'-L-PE-N	294-4325 250
<input type="radio"/> L3-L2-L1-PE-N	294-4215 250	<input type="radio"/> L3-L2-L1-PE-N	294-4315 250
<input type="radio"/> DA+ DA- L PE N	294-4235 250	<input type="radio"/> DA+ DA- L PE N	294-4335 250
<input type="radio"/> DA- N PE L DA+	294-4275 250	<input type="radio"/> DA- N PE L DA+	294-4375 250
<input type="radio"/> 3-N-PE-1-2	294-4255 250	<input type="radio"/> 3-N-PE-1-2	294-4355 250



Dimensions in mm



Dimensions in mm

Connection System with Phase Selection for Fluorescent Lighting Fixtures

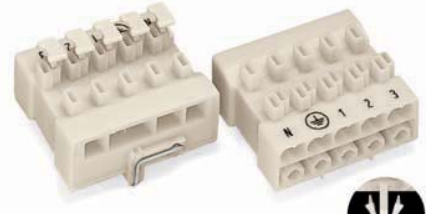
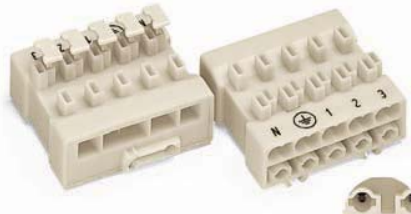
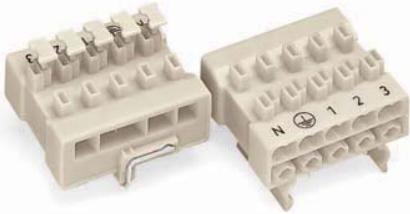
Power Supply Connectors

293 Series

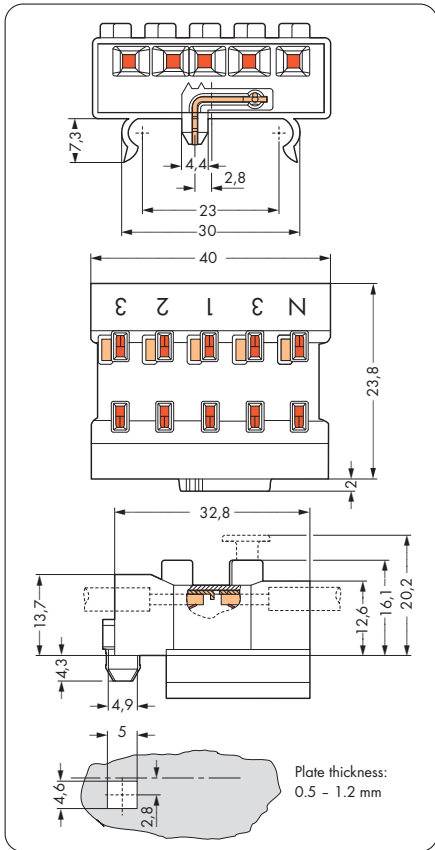
0.5 - 2.5 mm² "s" ① AWG 20 - 14 "s"
 0.5 - 0.75 mm² "s" ① AWG 20 - 18 "s"
 2.5 mm² "s" ② AWG 12 "s"
 500 V/4 kV/2 ③
 I_N 20 A
 8 - 9 mm / 0.33 in ④

0.5 - 2.5 mm² "s" ① AWG 20 - 14 "s"
 0.5 - 0.75 mm² "s" ① AWG 20 - 18 "s"
 2.5 mm² "s" ② AWG 12 "s"
 500 V/4 kV/2 ③
 I_N 20 A
 8 - 9 mm / 0.33 in ④

0.5 - 2.5 mm² "s" ① AWG 20 - 14 "s"
 0.5 - 0.75 mm² "s" ① AWG 20 - 18 "s"
 2.5 mm² "s" ② AWG 12 "s"
 500 V/4 kV/2 ③
 I_N 20 A
 8 - 9 mm / 0.33 in ④

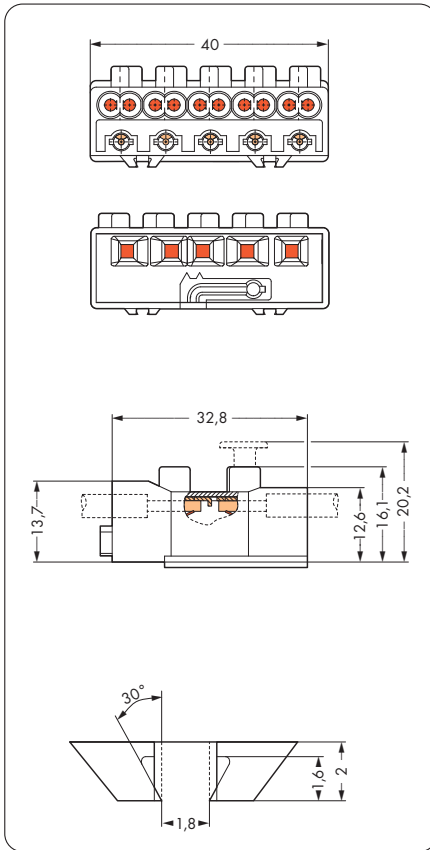


Pole No.	Item No.	Pack. Unit	Pole No.	Item No.	Pack. Unit	Pole No.	Item No.	Pack. Unit
Terminal block for field connection with snap-in foot and direct ground contact, white, with push-buttons on the field side			Terminal block for field connection with dovetail and without direct ground contact, white, with push-buttons on the field side			Terminal block for field connection with snap-in mounting feet and direct ground contact, white, with push-buttons on the field side		
○ 5	293-325	250	○ 5	293-220	250	○ 5	293-222	250
without push-button			without push-button			without push-button		
○ 5	293-225	250	○ 5	293-219	250	○ 5	293-221	250

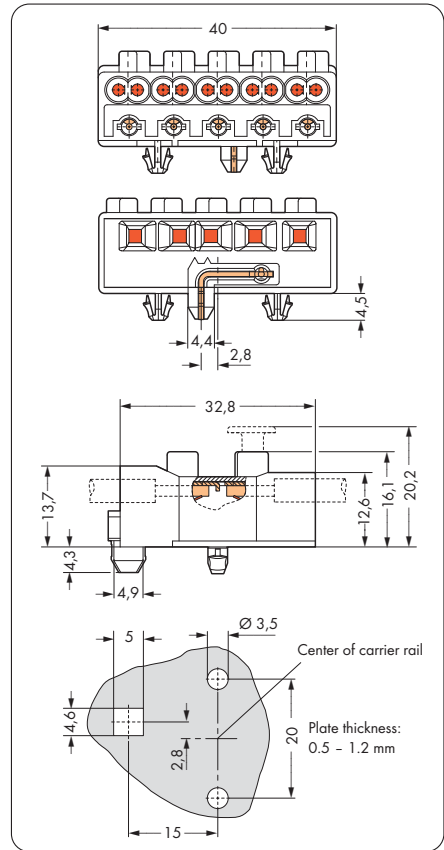


Dimensions in mm

Metal plate cutout for direct ground contact must be free of varnish and oxide films.
 Equipped with varnished metal plates upon request.



Dimensions in mm



Dimensions in mm

Metal plate cutout for direct ground contact must be free of varnish and oxide films.
 Equipped with varnished metal plates upon request.

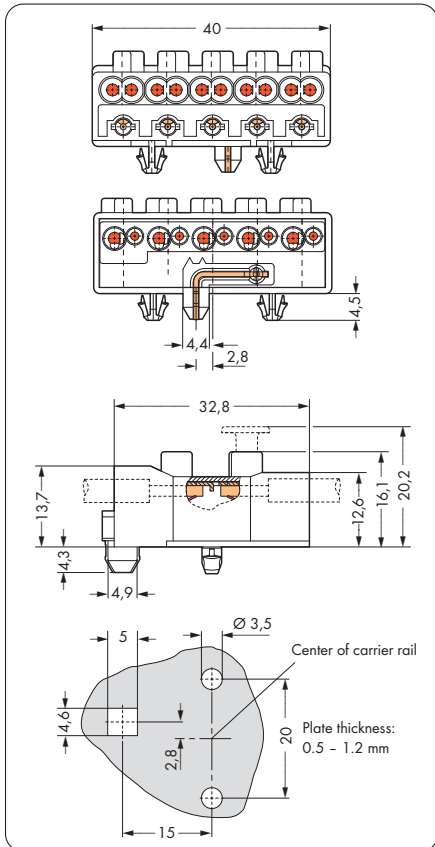
0.5 - 2.5 mm² "s" ① AWG 20 - 14 "s"
 0.5 - 0.75 mm² "s" ① AWG 20 - 18 "s"
 2.5 mm² "s" ② AWG 12 "s"
 500 V/4 kV/2 ③
 I_N 20 A
 8 - 9 mm / 0.33 in ④



Power supply connector with custom foot, with and without direct ground contact, white, with and without push-buttons on the power supply side

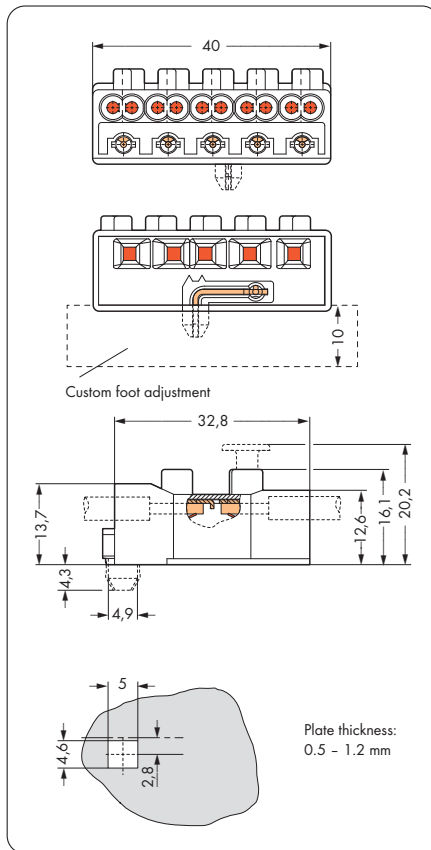
- ① Power supply side
- ② Lighting side
- ③ 500 V = rated voltage
4 kV = rated surge voltage
2 = pollution degree
(also see Section 14)
- ④ Strip length, see packaging or instructions.

Pole No.	Item No.	Pack. Unit
Terminal block for field connection (round conductor entry) with snap-in mounting feet and direct ground contact,		
white,		
with push-buttons on the field side		
○ 5	293-230	250
without push-button		
○ 5	293-228	250



Dimensions in mm

Metal plate cutout for direct ground contact must be free of varnish and oxide films. Equipped with varnished metal plates upon request.



Dimensions in mm

Metal plate cutout for direct ground contact must be free of varnish and oxide films. Equipped with varnished metal plates upon request.