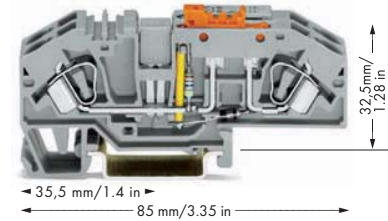
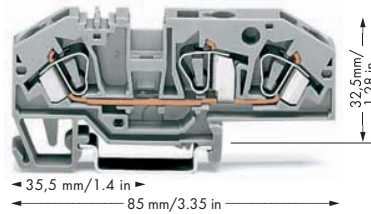
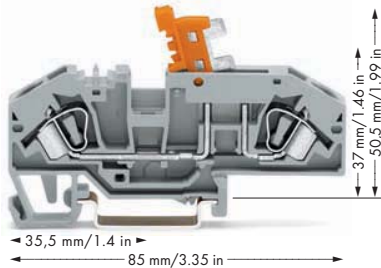


Disconnect and Ground Conductor Disconnect Terminal Blocks 6 mm²/30 A and Through Terminal Blocks of Same Profile 282 Series

0.2 - 6 mm ² 400 V/6 kV/3 ① I _N 30 A	AWG 24 - 10 600 V, 30 A ② 300 V, 36 A ③	0.2 - 6 mm ² 800 V/8 kV/3 ① I _N 41 A	AWG 24 - 10 600 V, 30 A ② 600 V, 40 A ③	0.2 - 6 mm ² AWG 24 - 10
Terminal block width 8 mm / 0.315 in 12 - 13 mm / 0.49 in ②		Terminal block width 8 mm / 0.315 in 12 - 13 mm / 0.49 in ②		Terminal block width 16 mm / 0.63 in 12 - 13 mm / 0.49 in ②



Item No.	Pack. Unit	Item No.	Pack. Unit	Item No.	Pack. Unit
2-conductor disconnect terminal block, with test point, orange disconnect link		3-conductor through terminal block, with test point, same profile as disconnect terminal blocks		Ground conductor disconnect terminal block, with test point, orange disconnect link, gray	
● gray	282-697 25	● gray	282-699 25	● 24 V	282-640 12
● blue	282-695 25	● blue	282-694 25	● 48 V	282-641 12
Other terminal blocks with the same profile: Through 282-699 Page 220		Other terminal blocks with the same profile: Disconnect 282-697 Page 220 Ground cond. disc. 282-640 Page 220 Fuse 282-696 Page 222		Other terminal blocks with the same profile: Through 282-699 Page 220	
Item-Specific Accessories		Item-Specific Accessories			
Adjacent jumper, insulated, I _N 41 A gray 282-402 100 (4x25)		Adjacent jumper, insulated, I _N 41 A gray 282-402 100 (4x25)			
Alternate jumper, insulated, I _N 41 A gray 282-409 100 (4x25)		Alternate jumper, insulated, I _N 41 A gray 282-409 100 (4x25)			
Test plug adapter, 8.3 mm wide, for terminal blocks 1.5 - 10 mm ² , for test plug 4 mm Ø gray 209-170 50 (2x25)		Test plug adapter, 8.3 mm wide, for terminal blocks 1.5 - 10 mm ² , for test plug 4 mm Ø gray 209-170 50 (2x25)			

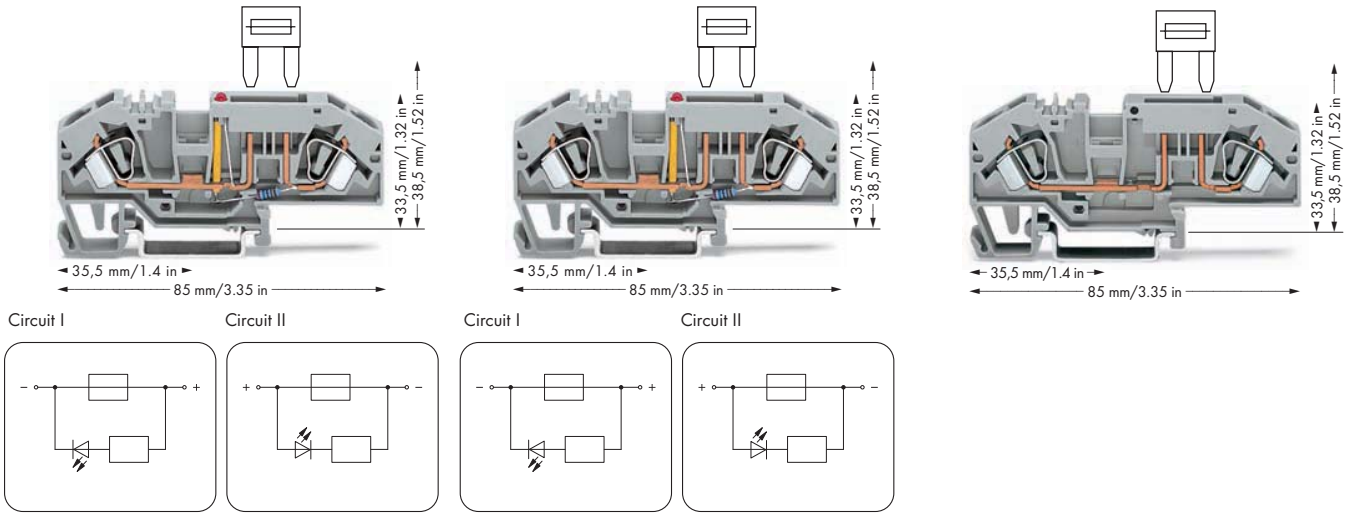
Accessories

Appropriate marking system: WMB
(see Section 13)

End plate, 2 mm thick orange 282-333 100 (4x25) gray 282-334 100 (4x25)		
Protective warning marker, with high-voltage symbol, black, for 5 terminal blocks yellow 282-405 100 (4x25)		
Screwless end stop, for DIN 35 rail, 6 mm wide gray 249-116 100 (4x25)		
Screwless end stop, for DIN 35 rail, 10 mm wide gray 249-117 50 (2x25)		

Fuse Terminal Blocks for Mini-Automotive Blade-Style Fuses 6 mm² 282 Series

<p>0.2 - 6 mm² 400 V/6 kV/3 ① ② I_N 25 A (30 A)</p> <p>Terminal block width 8 mm / 0.315 in 12 - 13 mm / 0.49 in ③</p>	<p>AWG 24 - 10 12 V, 30 A 24 V, 12 A</p>	<p>0.2 - 6 mm² 400 V/6 kV/3 ① ② I_N 25 A (30 A)</p> <p>Terminal block width 8 mm / 0.315 in 12 - 13 mm / 0.49 in ③</p>	<p>AWG 24 - 10 24 V, 30 A 24 V, 30 A</p>	<p>0.2 - 6 mm² 400 V/6 kV/3 ① ② I_N 25 A (30 A)</p> <p>Terminal block width 8 mm / 0.315 in 12 - 13 mm / 0.49 in ③</p>	<p>AWG 24 - 10 600 V, 30 A 24 V, 30 A</p>
---	--	---	--	---	---



Item No.	Pack. Unit	Item No.	Pack. Unit	Item No.	Pack. Unit
<p>2-conductor fuse terminal block for mini-automotive blade-style fuses, 12V, with test point, with blown fuse indication by LED, LED power consumption: 4.8mA, gray Nominal voltage and current are given by the LED or fuse. Blade-style fuses, please note touchproof protection for 42V and higher.</p> <p>● Circuit I 282-698/281-429 25 ● Circuit II 282-698/281-449 25</p>		<p>2-conductor fuse terminal block for mini-automotive blade-style fuses, 24V, with test point, with blown fuse indication by LED, LED power consumption: 4.8mA, gray Nominal voltage and current are given by the LED or fuse. Blade-style fuses, please note touchproof protection for 42V and higher.</p> <p>● Circuit I 282-698/281-413 25 ● Circuit II 282-698/281-434 25</p>		<p>2-conductor fuse terminal block for mini-automotive blade-style fuses, with test point, without blown fuse indication, Nominal voltage and current are given by the fuse. Blade-style fuses, please note touchproof protection for 42V and higher.</p> <p>● gray 282-696 25</p>	
<p>Other terminal blocks with the same profile: Through 282-699 Page 220</p>		<p>Other terminal blocks with the same profile: Through 282-699 Page 220</p>		<p>Other terminal blocks with the same profile: Through 282-699 Page 220</p>	
<p>Blade-style fuses (not offered by WAGO)</p>					
<p>Excess-current circuit-breaker, thermal (not offered by WAGO) Recommended excess-current circuit-breakers from ETA</p>					

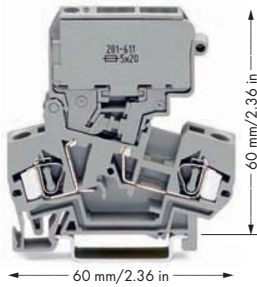
Accessories for Fuse Terminal Blocks

Appropriate marking system: WMB
(see Section 13)

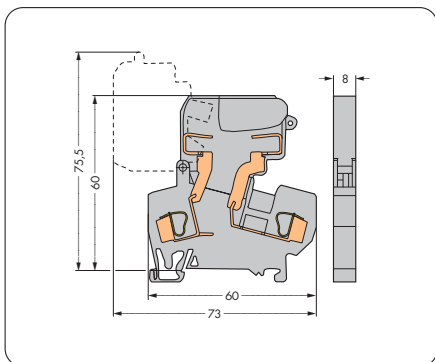
<p>End plate, 2 mm thick</p> <p>orange 282-333 100 (4x25) gray 282-334 100 (4x25)</p>	<p>Screwless end stop, for DIN 35 rail, 6 mm wide gray 249-116 100 (4x25)</p>
<p>Adjacent jumper, insulated, I_N 41 A gray 282-402 100 (4x25)</p>	<p>Screwless end stop, for DIN 35 rail, 10 mm wide gray 249-117 50 (2x25)</p>
<p>Alternate jumper, insulated, I_N 41 A gray 282-409 100 (4x25)</p>	
<p>Test plug adapter, 8.3 mm wide, for terminal blocks 1.5 - 10 mm², for test plug 4 mm Ø gray 209-170 50 (2x25)</p>	

Fuse Disconnect Terminal Blocks with Pivoting Fuse Holder 4 mm² for Miniature Metric Fuses 5 x 20 mm, 5 x 25 mm and 5 x 30 mm 281 Series

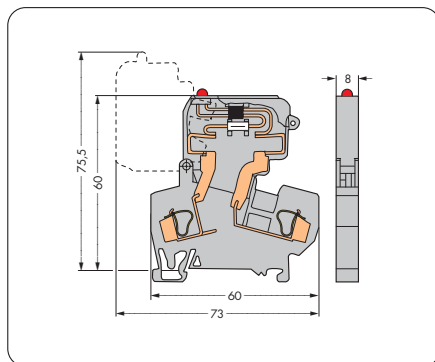
<p>0.08 - 4 mm² 800 V/8 kV/3 ① ② I_N 10 A (6.3 A)</p> <p>Terminal block width 8 mm / 0.315 in 9 - 10 mm / 0.37 in ③</p>	<p>AWG 28 - 12 600 V, 10 A ④ 600 V, 10 A ⑤</p>	<p>0.08 - 4 mm² 800 V/8 kV/3 ① ② I_N 10 A (6.3 A)</p> <p>Terminal block width 8 mm / 0.315 in 9 - 10 mm / 0.37 in ③</p>	<p>AWG 28 - 12 30 V, 10 A ④ 230 V, 10 A ⑤</p>	<p>0.08 - 4 mm² 800 V/8 kV/3 ① ② I_N 10 A (6.3 A)</p> <p>Terminal block width 8 mm / 0.315 in 9 - 10 mm / 0.37 in ③</p>	<p>AWG 28 - 12 220 V, 10 A ④ 230 V, 10 A ⑤</p>
--	--	--	---	--	--



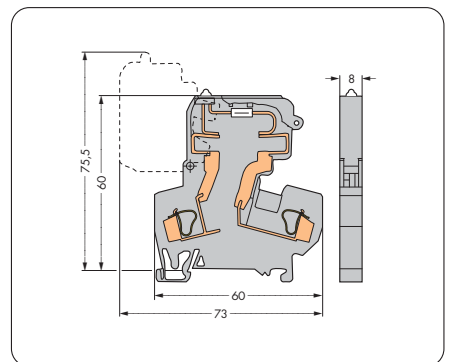
Item No.	Pack. Unit	Item No.	Pack. Unit	Item No.	Pack. Unit
Fuse disconnect terminal block with pivoting fuse holder, for miniature metric fuses 5 x 20 mm, without blown fuse indication, Nominal voltage and current are given by the fuse.		Fuse disconnect terminal block with pivoting fuse holder, for miniature metric fuses 5 x 20 mm, with blown fuse indication by LED, gray Nominal voltage and current are given by the LED or fuse. Leakage current in case of blown fuse: LED 6mA		Fuse disconnect terminal block with pivoting fuse holder, for miniature metric fuses 5 x 20 mm, with blown fuse indication by neon lamp, gray Nominal voltage and current are given by the LED or fuse. Leakage current in case of blown fuse: Neon lamp < 0.4mA	
● gray	281-611 50	● 15 - 30 V	281-611/281-541 50	● 230 V	281-611/281-417 50
● orange	281-616 50	● 30 - 65 V	281-611/281-542 50	● 120 V	281-611/281-418 50
Fuse disconnect terminal block with pivoting fuse holder, for miniature metric fuses 5 x 25 mm, without blown fuse indication, Nominal voltage and current are given by the fuse.		Fuse disconnect terminal block with pivoting fuse holder, for miniature metric fuses 5 x 25 mm, with blown fuse indication by LED, gray Nominal voltage and current are given by the LED or fuse. Leakage current in case of blown fuse: LED 6mA		Fuse disconnect terminal block with pivoting fuse holder, for miniature metric fuses 5 x 25 mm, with blown fuse indication by neon lamp, gray Nominal voltage and current are given by the LED or fuse. Leakage current in case of blown fuse: Neon lamp < 0.4mA	
● gray	281-612 50	● 15 - 30 V	281-612/281-541 50	● 230 V	281-612/281-417 50
		● 30 - 65 V	281-612/281-542 50	● 120 V	281-612/281-418 50
Fuse disconnect terminal block with pivoting fuse holder, for miniature metric fuses 5 x 30 mm, without blown fuse indication, Nominal voltage and current are given by the fuse.		Fuse disconnect terminal block with pivoting fuse holder, for miniature metric fuses 5 x 30 mm, with blown fuse indication by LED, gray Nominal voltage and current are given by the LED or fuse. Leakage current in case of blown fuse: LED 6mA		Fuse disconnect terminal block with pivoting fuse holder, for miniature metric fuses 5 x 30 mm, with blown fuse indication by neon lamp, gray Nominal voltage and current are given by the LED or fuse. Leakage current in case of blown fuse: Neon lamp < 0.4mA	
● gray	281-622 50	● 15 - 30 V	281-622/281-541 50	● 230 V	281-622/281-417 50
		● 30 - 65 V	281-622/281-542 50	● 120 V	281-622/281-418 50
Miniature metric fuse on request		Miniature metric fuse on request		Miniature metric fuse on request	



Dimensions in mm









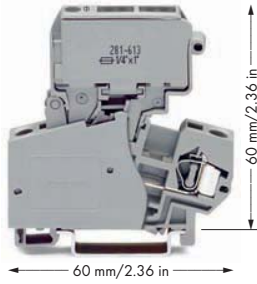
Dimensions in mm



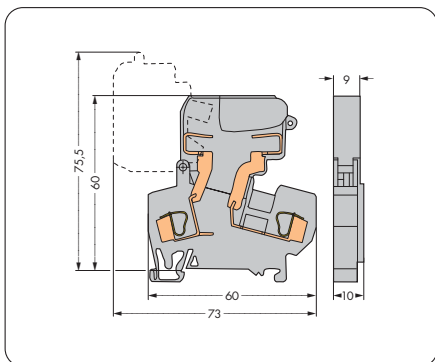
Dimensions in mm

Fuse Disconnect Terminal Blocks with Pivoting Fuse Holder 4 mm² for Miniature Metric Fuses 1/4" x 1" mm and 1/4" x 1 1/4" mm 281 Series

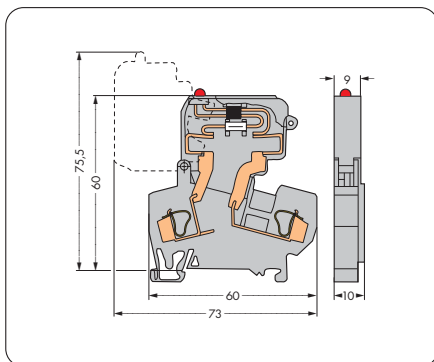
<p>0.08 - 4 mm² 800 V/8 kV/3 ① ② I_N 10 A (6.3 A)</p> <p>Terminal block width 10 mm / 0.394 in 9 - 10 mm / 0.37 in ③</p>	<p>AWG 28 - 12 600 V, 10 A  600 V, 10 A </p>	<p>0.08 - 4 mm² 800 V/8 kV/3 ① ② I_N 10 A (6.3 A)</p> <p>Terminal block width 10 mm / 0.394 in 9 - 10 mm / 0.37 in ③</p>	<p>AWG 28 - 12 30 V, 10 A  30 V, 10 A </p>	<p>0.08 - 4 mm² 800 V/8 kV/3 ① ② I_N 10 A (6.3 A)</p> <p>Terminal block width 10 mm / 0.394 in 9 - 10 mm / 0.37 in ③</p>	<p>AWG 28 - 12 220 V, 10 A  100 V, 10 A </p>
---	--	---	--	---	--



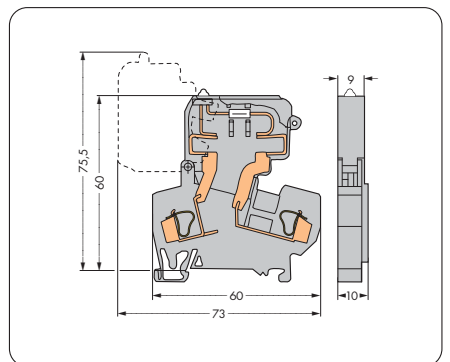
Item No.	Pack. Unit	Item No.	Pack. Unit	Item No.	Pack. Unit
Fuse disconnect terminal block with pivoting fuse holder, for miniature fuses 1/4" x 1", without blown fuse indication, Nominal voltage and current are given by the fuse.		Fuse disconnect terminal block with pivoting fuse holder, for miniature fuses 1/4" x 1", with blown fuse indication by LED, gray Nominal voltage and current are given by the LED or fuse. Leakage current in case of blown fuse: LED 6mA		Fuse disconnect terminal block with pivoting fuse holder, for miniature fuses 1/4" x 1", with blown fuse indication by neon lamp, gray Nominal voltage and current are given by the LED or fuse. Leakage current in case of blown fuse: Neon lamp < 0.4mA	
● gray	281-613 50	● 15 - 30 V 281-613/281-541 50 ● 30 - 65 V 281-613/281-542 50		● 230 V 281-613/281-417 50 ● 120 V 281-613/281-418 50	
Fuse disconnect terminal block with pivoting fuse holder, for miniature fuses 1/4" x 1 1/4", without blown fuse indication, Nominal voltage and current are given by the fuse.		Fuse disconnect terminal block with pivoting fuse holder, for miniature fuses 1/4" x 1 1/4", with blown fuse indication by LED, gray Nominal voltage and current are given by the LED or fuse. Leakage current in case of blown fuse: LED 6mA		Fuse disconnect terminal block with pivoting fuse holder, for miniature fuses 1/4" x 1 1/4", with blown fuse indication by neon lamp, gray Nominal voltage and current are given by the LED or fuse. Leakage current in case of blown fuse: Neon lamp < 0.4mA	
● gray	281-623 50	● 15 - 30 V 281-623/281-541 50 ● 30 - 65 V 281-623/281-542 50		● 230 V 281-623/281-417 50 ● 120 V 281-623/281-418 50	
Miniature metric fuse on request		Miniature metric fuse on request		Miniature metric fuse on request	



Dimensions in mm



Dimensions in mm



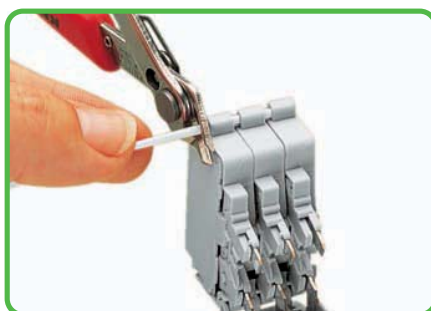
Dimensions in mm



A spacer is standard equipment for 10 mm/0.394 in wide fuse terminal blocks. At the end of an assembly, or if there is **no** adjacent fuse terminal block, an end or intermediate plate must be used.



Two marker slots each per fuse holder are available for individual WMB Multi marking. (example: 8 mm/0.315 in terminal blocks).













Ganging several fuse holders with a connecting strip (example: 8 mm/0.315 in terminal blocks).

- ❶ 800 V = rated voltage
8 kV = rated surge voltage
3 = pollution degree
(also see Section 14)
- ❷ Electrical ratings are given by the fuse
(also see pages 234 - 235).
- ❸ Strip length, see packaging or instructions.

281 Series Accessories

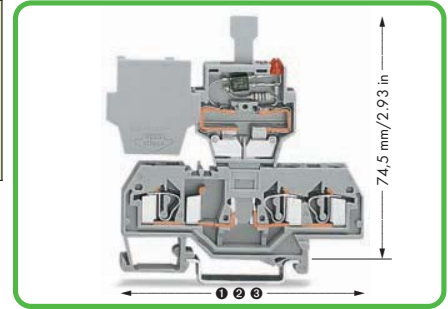
Appropriate marking system:
WMB (see Section 13)

End and intermediate plate, 2.5 mm thick			
	orange	281-309	100 (4x25)
	gray	281-311	100 (4x25)
Adjacent jumper, insulated, $I_N = I_N$ terminal block			
	gray	281-402	200 (8x25)
Collective carrier for adjacent jumpers			
	gray	209-100	50 (2x25)
Test plug adapter, 5 mm wide, for terminal blocks 1.5 - 4 mm ² , for 210-137 test plug 2.3 mm Ø			
	gray	280-404	100 (4x25)
Test plug, with 500 mm cable, 2.3 mm Ø			
	yellow	210-137	50
Test plug adapter, 6 mm wide, with CAGE CLAMP®, for 0.08 - 2.5 mm ²			
	I_N 24 A	281-407	100 (4x25)
Push-in type wire jumper, insulated, I_N 9 A, wire size 0.75 mm ²			
	L = 60 mm	249-125	10
	L = 110 mm	249-126	10
	L = 250 mm	249-127	10
Interlocking link, mechanically locks multiple links, 1 m/3'3" long			
	transparent	210-254	1
Screwless end stop, for DIN 35 rail, 6 mm wide			
	gray	249-116	100 (4x25)
Screwless end stop, for DIN 35 rail, 10 mm wide			
	gray	249-117	50 (2x25)

Fuse Plugs on Carrier Terminal Blocks 4 mm² 281 Series

Fuse plug with pull-tab
for miniature metric fuses 5 x 20 mm and 5 x 25 mm
250 V / I_N 6.3 A ④
Plug width 6 mm / 0.236 in

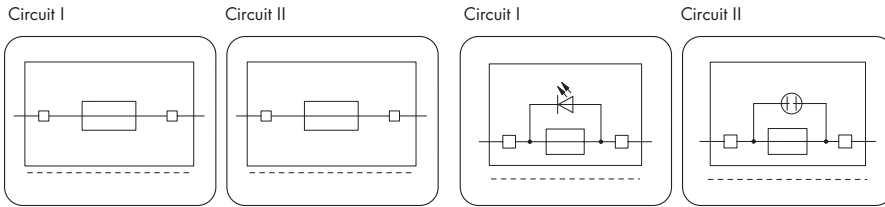
Fuse plug with pull-tab
for miniature metric fuses 5 x 20 mm and 5 x 25 mm
250 V / I_N 6.3 A ④
Plug width 6 mm / 0.236 in



Dimensions of carrier terminal blocks with fuse plug

- ① 59 mm / 2.32 in for 281-916
- ② 73.5 mm / 2.89 in for 281-610
- ③ 86 mm / 3.39 in for 281-656

For terminal blocks with side marking, see www.wagocatalog.com



Accessories

4-conductor carrier terminal block,
③ 0.08 - 4 mm² / AWG 28 - 12,
Terminal block width 6 mm / 0.236 in
gray **281-656** 50

End and intermediate plate, 2.5 mm thick
orange **281-335** 100 (4x25)
gray **281-334** 100 (4x25)

Comb-style jumper bar, insulated,
I_N = I_N terminal block
2-way **281-482** 100 (4x25)
3-way **281-483** 100 (4x25)
5-way **281-485** 100 (4x25)
10-way **281-490** 50 (2x25)

Alternate comb-style jumper bar,
insulated,
I_N = I_N terminal block
2-way **281-492** 100 (4x25)

Operating tool, of insulating material
2-way **280-432** 1
3-way **280-433** 1
5-way **281-440** 1

WSB Quick marking system,
10 strips with 10 markers per card,
WSB Markers 4 mm wide
plain **209-701** 5

WSB Quick marking system, plain,
10 strips with 10 markers per card,
WSB Markers 4 mm wide
yellow **209-701/000-002**
red **209-701/000-005**
blue **209-701/000-006**
gray **209-701/000-007**
orange **209-701/000-012**
light green **209-701/000-017**
green **209-701/000-023**
violet **209-701/000-024**

Shorting link, 5 x 20 mm,
if the fuse plug is used as disconnect plug
I_N 6.3 A **281-503** 250 (10x25)

Item No.	Pack. Unit	Item No.	Pack. Unit
Fuse plug with pull-tab, for miniature metric fuses 5 x 20 mm and 5 x 25 mm, Nominal voltage and current are given by the fuse. 6 mm wide, gray		Fuse plug with pull-tab, for miniature metric fuses 5 x 20 mm and 5 x 25 mm, with LED indicator, 24 V AC/DC, Nominal voltage and current are given by the LED or fuse. Leakage current in case of blown fuse: 5 - 20mA, 6 mm wide, gray	
○ Circuit I 281-511	50	○ Circuit I 281-512/281-501	50
Fuse plug with pull-tab, for miniature metric fuses 5 x 20 mm and 5 x 25 mm, with hole for one LED (for self-assembly), Nominal voltage and current are given by the LED or fuse. 6 mm wide, gray		Fuse plug with pull-tab, for miniature metric fuses 5 x 20 mm and 5 x 25 mm, with neon lamp 120 V AC/DC, Nominal voltage and current are given by the LED or fuse. Leakage current in case of blown fuse: Neon lamp < 0.4mA, 6 mm wide, gray	
○ Circuit II 281-512	50	○ Circuit II 281-512/281-418	50
		Fuse plug with pull-tab, for miniature metric fuses 5 x 20 mm and 5 x 25 mm, with neon lamp 230 V AC/DC, Nominal voltage and current are given by the LED or fuse. Leakage current in case of blown fuse: Neon lamp < 0.4mA, 6 mm wide, gray	
		○ Circuit II 281-512/281-417	50

Accessories
Appropriate marking system: 4 mm wide WSB for plug and WMB for terminal block

2-conductor carrier terminal block, ① 0.08 - 4 mm ² / AWG 28 - 12, Terminal block width 6 mm / 0.236 in gray 281-916 50	3-conductor carrier terminal block, ② 0.08 - 4 mm ² / AWG 28 - 12, Terminal block width 6 mm / 0.236 in gray 281-610 50
End and intermediate plate, 2.5 mm thick orange 281-329 100 (4x25) gray 281-328 100 (4x25)	End and intermediate plate, 2.5 mm thick orange 281-326 100 (4x25) gray 281-324 100 (4x25)
Wire commoning chain, 50 connections, insulated, I _N 8 A black 210-103 1	Wire commoning chain, 50 connections, insulated, I _N 8 A blue 210-123 1

For list of approvals and user guide, see pages 634 to 637.

Accessories

WSB Quick marking system,



for fuse plug 281-5.,

WSB Markers 4 mm wide

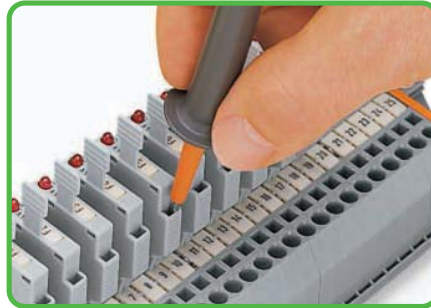
F1, ..., F10 (10x) **209-787** 5

F11, ..., F20 (10x) **209-700/209-124**

F21, ..., F30 (10x) **209-700/209-125**

F31, ..., F40 (10x) **209-700/209-126**

F41, ..., F50 (10x) **209-700/209-127**



Using pluggable fuse holders with rail-mount terminal blocks for control circuit protection is highly advantageous for the user, as the function and the wiring are accomplished by two separate parts:

- No additional cost for assembly and wiring
- No risk of accidental contact with live parts during disconnection of fuse plug
- If exchanging a defective fuse, the fuse plug is completely separated from the carrier terminal block. This provides changeout away from current carrying parts.
- The fuse plug can be removed by service personnel, avoiding unintentional reclosing of the circuit by another person.
- Quickly exchange a fuse by using a prepared "stand-by plug."

The following fuse plug features provide quick and safe handling:

- Optional LED indicates blown fuse
- Markable fuse plug for clear coordination to the correct carrier terminal block
- Two touch-proof test slots
- High density with only 6 mm/0.236 in width of terminal block/fuse plug
- Instead of a fuse, a shorting link may be used as a disconnect plug.

WMB Multi marking system,



10 strips with 10 markers per card, stretchable 5 - 5.2 mm

plain **793-5501** 5

WMB Multi marking system, plain,



10 strips with 10 markers per card, stretchable 5 - 5.2 mm

yellow **793-5501/000-002**

red **793-5501/000-005**

blue **793-5501/000-006**

gray **793-5501/000-007**

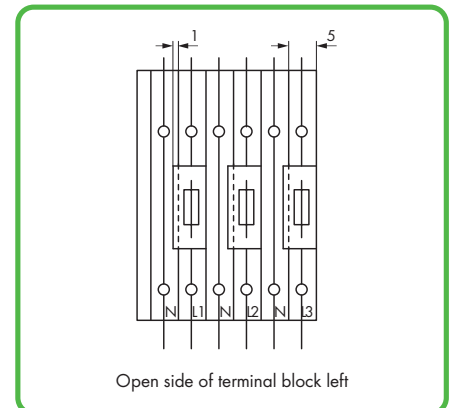
orange **793-5501/000-012**

light green **793-5501/000-017**

green **793-5501/000-023**

violet **793-5501/000-024**

4 Electrical ratings are given by the fuse or LED nominal voltage (also see pages 234 - 235).

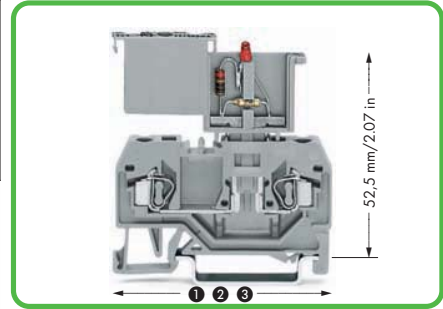


When corresponding Neutral-circuit is adjacent to a fuse plug, a 5 mm/0.197 in wide space saving terminal block may be used, as a 6 mm/0.236 in fuse plug may overlap the terminal block (see diagram below). For 5 mm/0.197 in wide carrier terminal blocks, see page 232 (can be used with end plate, for example).

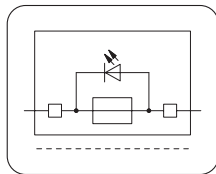
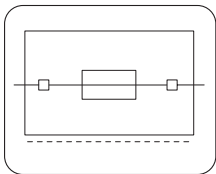
Fuse Plugs on Carrier Terminal Blocks 2.5 mm² 280 Series

Fuse plug
5 mm wide
 125 V / I_N 5 A ④
 Plug width 5 mm / 0.197 in

Fuse plug
5 mm wide
 125 V / I_N 5 A ④
 Plug width 5 mm / 0.197 in



① 53 mm / 2.09 in for 280-916
 ② 64 mm / 2.52 in for 280-610
 ③ 75 mm / 2.95 in for 280-816
 For terminal blocks with side marking, see www.wagocatalog.com



Fuse Plug Accessories

Wire comming chain, 50 connections,
 insulated, I_N 8 A
 blue **210-123** 1

WMB Multi marking system,
 10 strips with 10 markers per card,
 stretchable 5 - 5.2 mm
 plain **793-5501** 5

WMB Multi marking system, plain,
 10 strips with 10 markers per card,
 stretchable 5 - 5.2 mm
 yellow **793-5501/000-002**
 red **793-5501/000-005**
 blue **793-5501/000-006**
 gray **793-5501/000-007**
 orange **793-5501/000-012**
 light green **793-5501/000-017**
 green **793-5501/000-023**
 violet **793-5501/000-024** 5

Item No.	Pack. Unit	Item No.	Pack. Unit
Fuse plug, with soldered miniature fuse, Nominal voltage and current are given by the fuse. 5 mm wide		Fuse plug, with soldered miniature fuse, with indicator lamp, additional LED, 15 - 30 VDC. Nominal voltage and current are given by the LED or fuse. Leakage current in case of blown fuse: 5 - 20 mA 5 mm wide	
● 250 mA FF 280-850	100	● 250 mA FF 280-850/281-413	100
● 500 mA FF 280-852	100	● 500 mA FF 280-852/281-413	100
● 1 A FF 280-854	100	● 1 A FF 280-854/281-413	100
● 2 A FF 280-856	100	● 2 A FF 280-856/281-413	100

Accessories for Carrier terminal blocks

Appropriate marking system:
 WMB (see Section 13)

2-conductor carrier terminal block, ① 0.08 - 2.5 mm ² / AWG 28 - 14, Terminal block width 5 mm / 0.197 in gray 280-916 100	Comb-style jumper bar, insulated, I _N = I _N terminal block 2-way 280-482 200 (8x25) 3-way 280-483 200 (8x25)
End and intermediate plate, 2.5 mm thick orange 280-309 100 (4x25) gray 280-308 100 (4x25)	Comb-style jumper bar, insulated, I _N = I _N terminal block 10-way 280-490 50 (2x25)
3-conductor carrier terminal block, ② 0.08 - 2.5 mm ² / AWG 28 - 14, Terminal block width 5 mm / 0.197 in gray 280-610 100	Alternate comb-style jumper bar, insulated, I _N = I _N terminal block 2-way 280-492 200 (8x25)
End and intermediate plate, 2.5 mm thick orange 280-326 100 (4x25) gray 280-324 100 (4x25)	Operating tool, of insulating material 2-way 280-432 1 3-way 280-433 1
4-conductor carrier terminal block, ③ 0.08 - 2.5 mm ² / AWG 28 - 14, Terminal block width 5 mm / 0.197 in gray 280-816 100	Operating tool, of insulating material 10-way 280-440 1
End and intermediate plate, 2.5 mm thick orange 280-315 100 (4x25) gray 280-314 100 (4x25)	Wire comming chain, 50 connections, insulated, I _N 8 A black 210-103 1